

Built-in Undercounter Ice Maker







Control Panel Features

Automatic Ice Making Mode – ensures bin is always full

Delay Start Mode – with temporary shut off and auto restart control

Clean Mode – once cleaning cycle is completed, machine automatically resets back into ice production mode

Indicator Light – flashes when water filter requires replacement

Ice Accessibility

Bin Opening – oversized for easy access to ice

Scoop Mount – easy removal and convenient storage

Lighted Bin – illuminates stored ice for easy retrieval in low light conditions and highlights bin area for thorough cleaning



Water Filtration System

Depth Filtration with Scale Inhibitor – ensures maximum water filtration

Valve-in Head – simply insert and twist to lock or unlock filter — no tools required

Auto-Bypass – water bypass is enabled when filter is removed

Water Filter – durable water filter is designed to last six months under normal operating conditions. Filter replacement light indicates when changeover is needed

Door Opening

Ships with hinge on the right, easily changed to left during installation



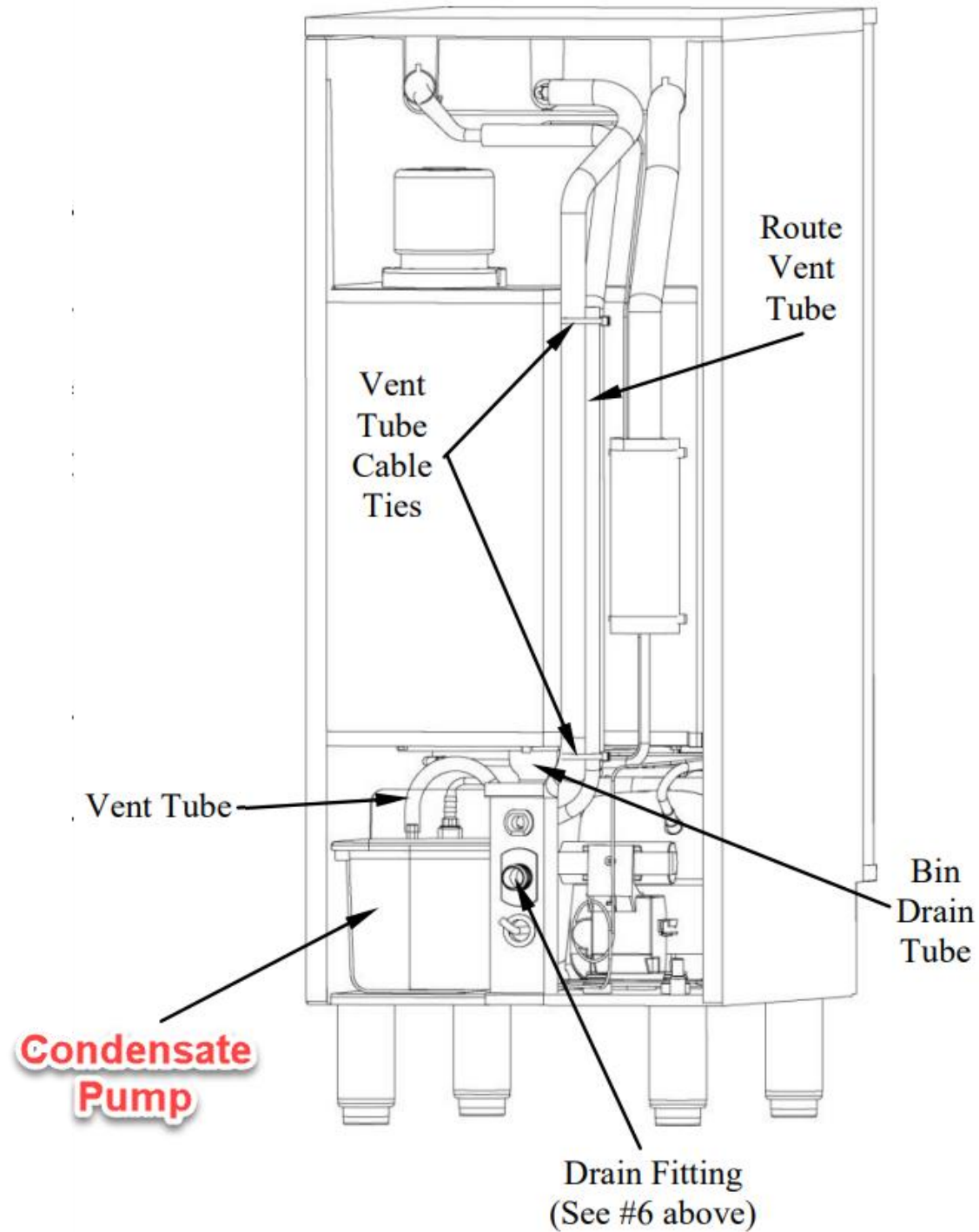
Adjustable Height

Front and back levelers standard 0" to 1" (0-2.5 cm). Optional stainless steel legs available 4.25" to 6.00" (10.80-15.24 cm)

GOURMET



Hard, clear individual cube with unique octagon shape 1-3/8" x 1-3/8" (3.49 x 3.49 cm), maximum cooling with nearly 100% ice to water ratio.



Route
Vent
Tube

Vent
Tube
Cable
Ties

Vent Tube

Bin
Drain
Tube

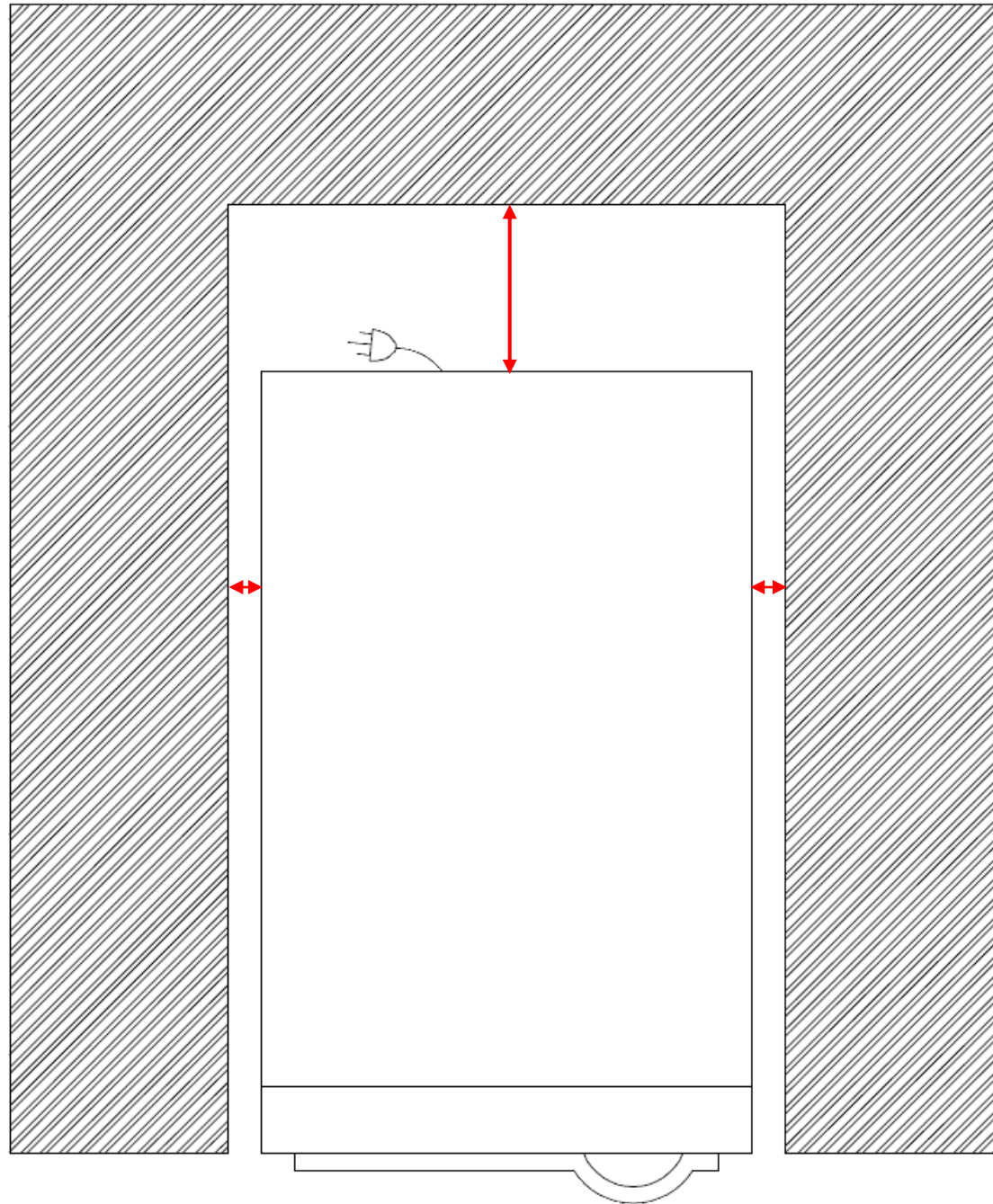
**Condensate
Pump**

Drain Fitting
(See #6 above)

Top View

Rear of Unit: 5"

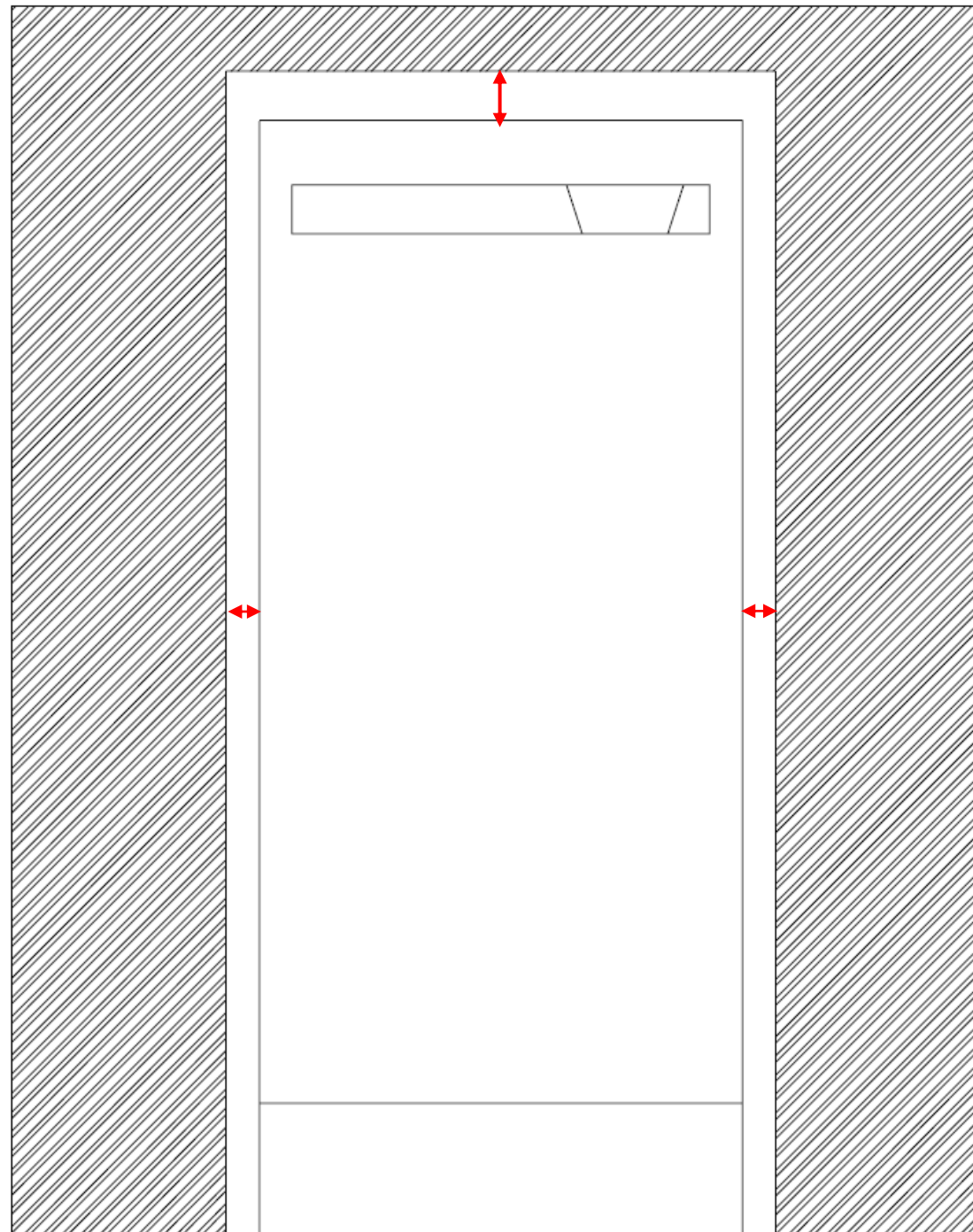
Sides of Unit: 1"



Front View

Top of Unit: 1-1/2"

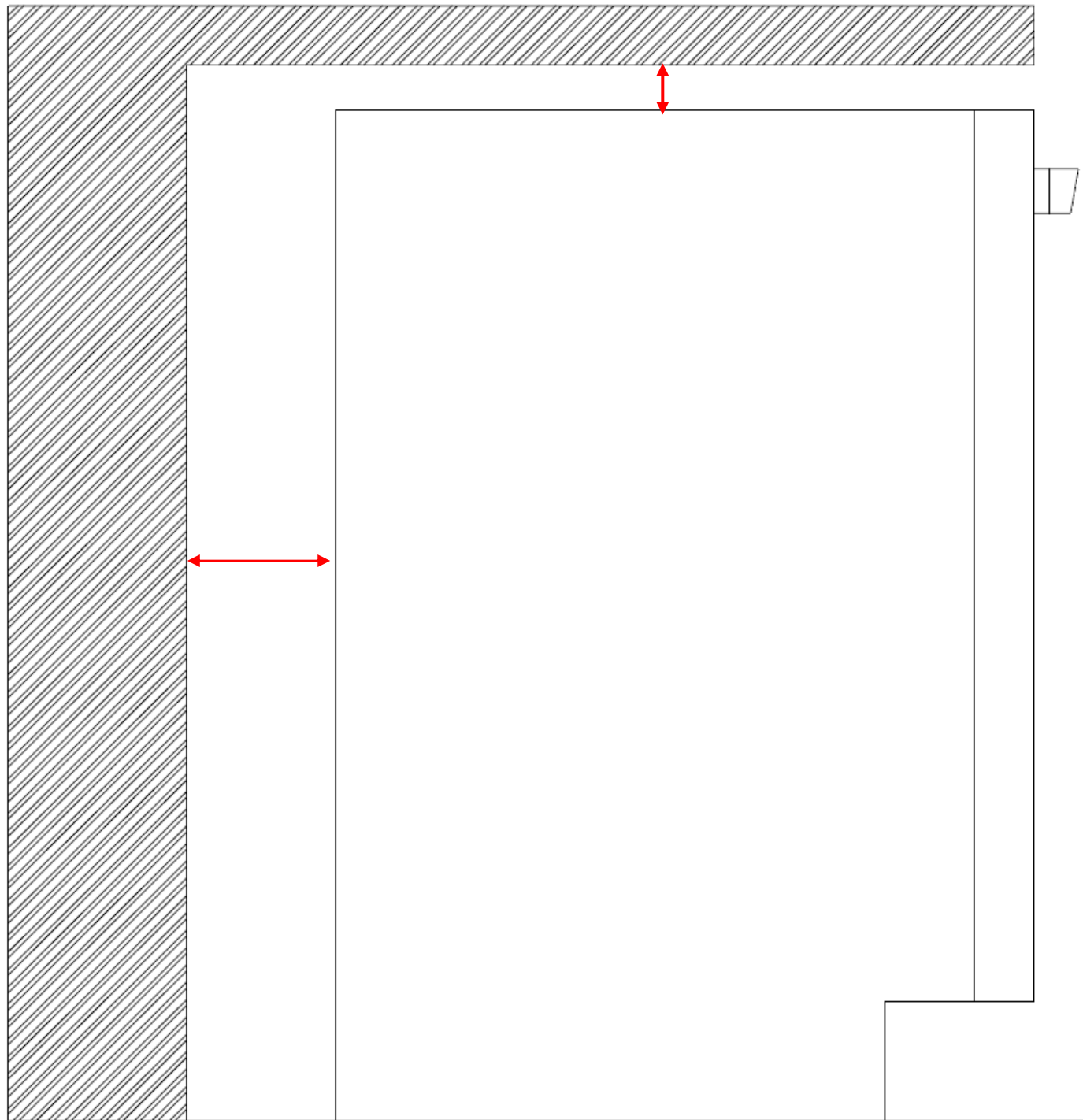
Sides of Unit: 1"



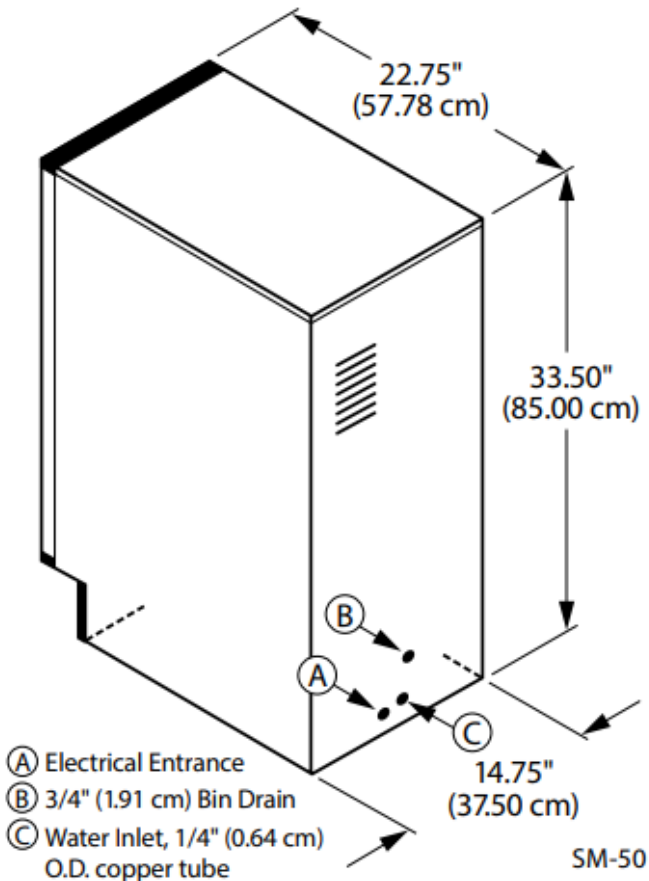
Side View

Top of Unit: 1-1/2"

Rear of Unit: 5"



SM-50 Ice Cube Machine



SM-50

Installation Note - There is no minimum clearance required, designed to be integrated into cabinet opening 15.00" (38.00 cm) wide.

Ice Machine Electric

115/60/1 Factory pre-wired with a 6' (180 cm) power cord and NEMA 5-15P-plug configuration.

Total Amps: 4.1

Max. fuse size: 15 amps

HACR-type circuit breakers can be used in place of fuses.

Specifications

BTU Per Hour:

1,145 (average) 2,300 (peak)

Compressor:

Nominal rating: 1/6 HP

Operating Limits:

- Ambient Temperature Range:
50° to 110° F (10° to 43° C)
- Water Temperature Range:
35° to 90° F (2° to 32° C)
- Water Pressure Ice Maker Water In:
Min. 20 psi (138 kPa) Max. 80 psi (551 kPa)

Legs:

Levelers standard 0" to 1"

(0-2.5 cm) adjustability.

Optional legs (K-00345) 4.25"-6.00" (10.80-15.24 cm).

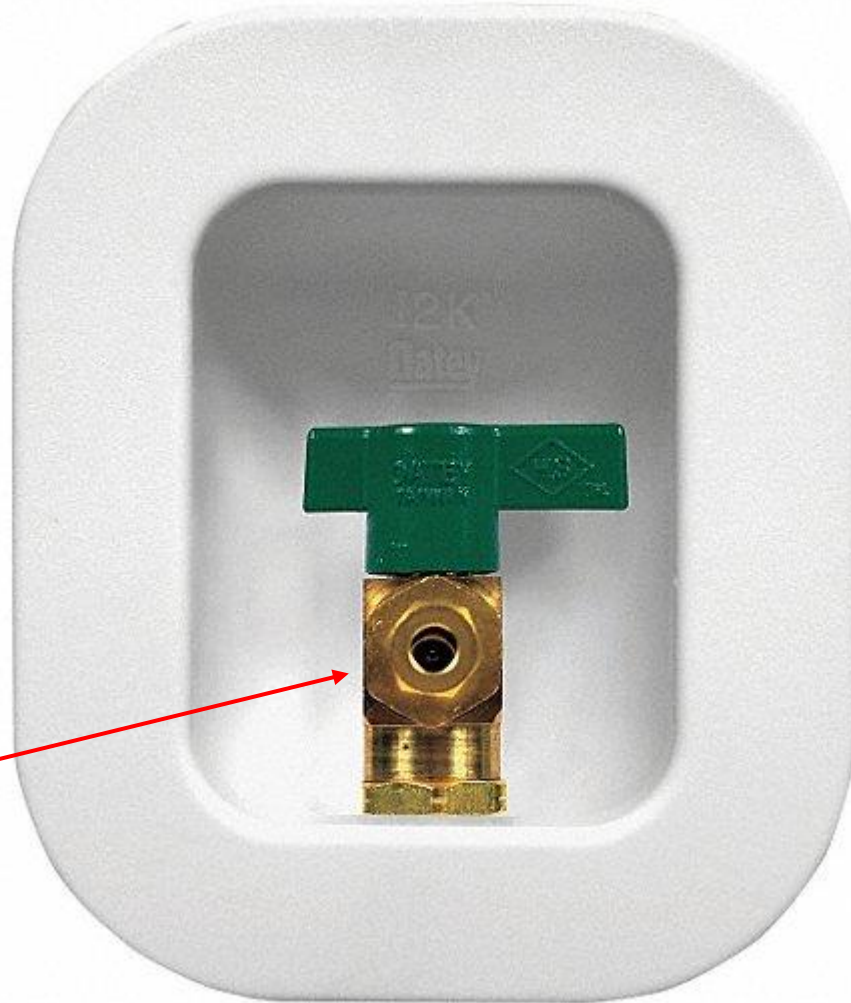
Insulation:

Insulation foamed-in-place with CFC-FREE foam.

Modell	Ice Shape	Ice production 24 hours				Power kWh/100 lbs @90°/70°F
		70° Air/50° F Water 21° Air/10° C Water		90° Air/70° F Water 32° Air/21° C Water		
		lbs.	kgsk	lbs.	gs	
SM-50A	Standard	53	24	44 lbs.7	20 kgs	.0
Water usage/100 lbs./45.4 kgs of Ice						
Potable Water: 43 gallons, 163 liters						

*"A" following model number indicates "Air" cooled condensing unit.

Requirements from Contractor/Customers Water Outlet Box



1/4" Water Supply

Requirements from Contractor/Customers

Drain Outlet Box



Drain
Connection



115 V
15Amps

Cold Water & Drain
reset in the wall at a
height of 22" A.F.F.



**Beautiful
Planning**

**Happy
Customers**

