



Project:

Item Number:

Quantity:

CAYENNE® ELECTRIC HOT PLATE



Cayenne® Electric Hot Plate

MODELS

40739 STA8002 Flat Top Electric Hot Plate

FEATURES

- Solid plate burners (front-back) for faster heating and easier cleanup
- Stainless steel construction for durability and long life
- Rear safety skirt
- Adjustable heavy-duty legs
- Narrow footprint for tight counter spaces
- 3 ft. (91.4 cm) cord with plug

DESCRIPTION

The Vollrath Cayenne® Electric Hot Plate is ideal for the continuous work environment of small coffee shops, restaurants, convenience stores and caterers.

WARRANTY: All models shown come with Vollrath's standard warranty against defects in materials and workmanship. For full warranty details, please refer to the Vollrath Equipment and Smallwares Catalog.

Agency Listings



Due to continued product improvement, please consult www.vollrathco.com for current product specifications.

Approvals

Date

--



www.vollrathco.com

The Vollrath Company, L.L.C.
1236 North 18th Street
Sheboygan, WI 53081-3201 U.S.A.
Customer Service: 800.628.0830
Canada Customer Service: 800.695.8560
Main Fax: 800.752.5620 or 920.459.6573

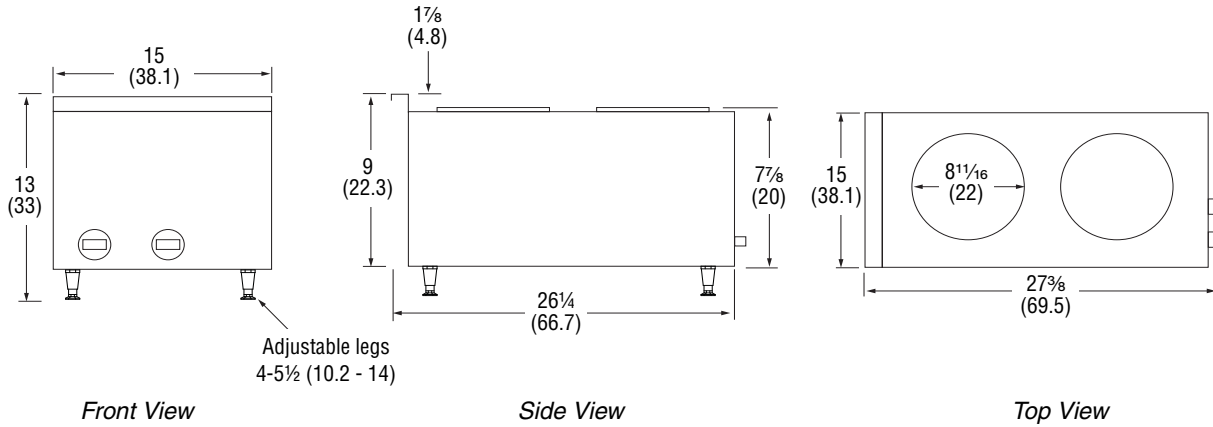
Technical Services: 800.628.0832
Technical Services Fax: 920.459.5462

CAYENNE® ELECTRIC HOT PLATE

MODELS 40739 STA8002 Flat Top Electric Hot Plate

DIMENSIONS

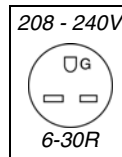
Dimensions shown in inches (cm).



SPECIFICATIONS

Item	Watts	Volts	Amps	Ship Weight lb (kg)	Plug
40739	3000 - 4000	208 - 240	14.4 - 16.6	28 (71.1)	6-30P

Receptacle



www.vollrathco.com

The Vollrath Company, L.L.C.
 1236 North 18th Street
 Sheboygan, WI 53081-3201 U.S.A.
 Customer Service: 800.628.0830
 Canada Customer Service: 800.695.8560
 Main Fax: 800.752.5620 or 920.459.6573

Technical Services: 800.628.0832
 Technical Services Fax: 920.459.5462