

OPERATION MANUAL



Mini - Dough Presses

Models:

DP1806, DP1807, DP1808 & DP1809



PROPROCESS CORPORATION • 7328 Madison St. • Paramount, CA 90723
(562) 531-0305 • (800) 624-6717 • Fax (562) 869-7715
Website: www.doughpro.com

GETTING STARTED

Mini-Dough Presses

First make sure the press is placed in an area with sufficient room for cleaning and unobstructed operation. Start by plugging the press into a properly rated outlet depending on the electrical rating of the press selected - 120V or 240V. Start by setting the temperature as follows dependent on the desired product: Fresh dough pizza crusts: 150°F (65.5°C), Tortillas or other par baked products: 225°F (107°C). Vary the temperature setting to suit the desired result. **ALLOW 15-20 MINUTES FOR WARM-UP.** Now proceed as follows:



STEP 1 - After allowing upper platen to reach desired temperature, swing out lower platen and place pre-portioned ball of dough in approximate center and swing closed. An approved lubricant/release agent such as olive oil or DOUGHPRO's Cookware Food Release Spray # DPPC1 applied to the top of the dough ball will greatly improve the pressing operation.



STEP 2 - Pull down on handle and hold for about 3-7 seconds.



STEP 3 - Lift up handle, open platen and place flattened crust on screen, disc or pan. Now you're ready for make-up and baking.

OPERATING INSTRUCTIONS

Mini-Dough Presses

Introduction

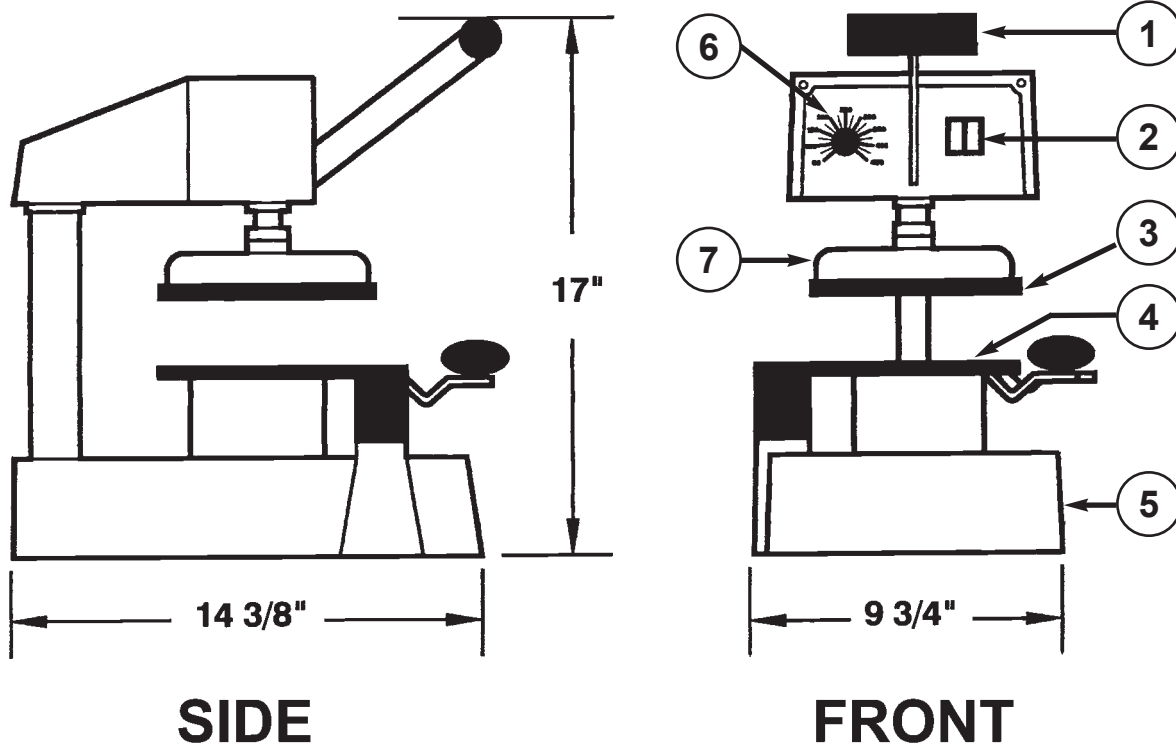
General Specifications

1. **Pull Handle** - Forces the upper platen down.
2. **On / Off Switch** - Red light tells you that power is on then goes out when temperature setting has been attained.
3. **Upper Platen** - Heated to help the dough flow faster and more evenly.
4. **Lower Platen** - Dough is placed here; swings out for easy removal of flattened dough.
5. **Cast Aluminum Base**
6. **Temperature Control** - 0° - 425°F (218°C)
7. **Chrome Plated Shroud**

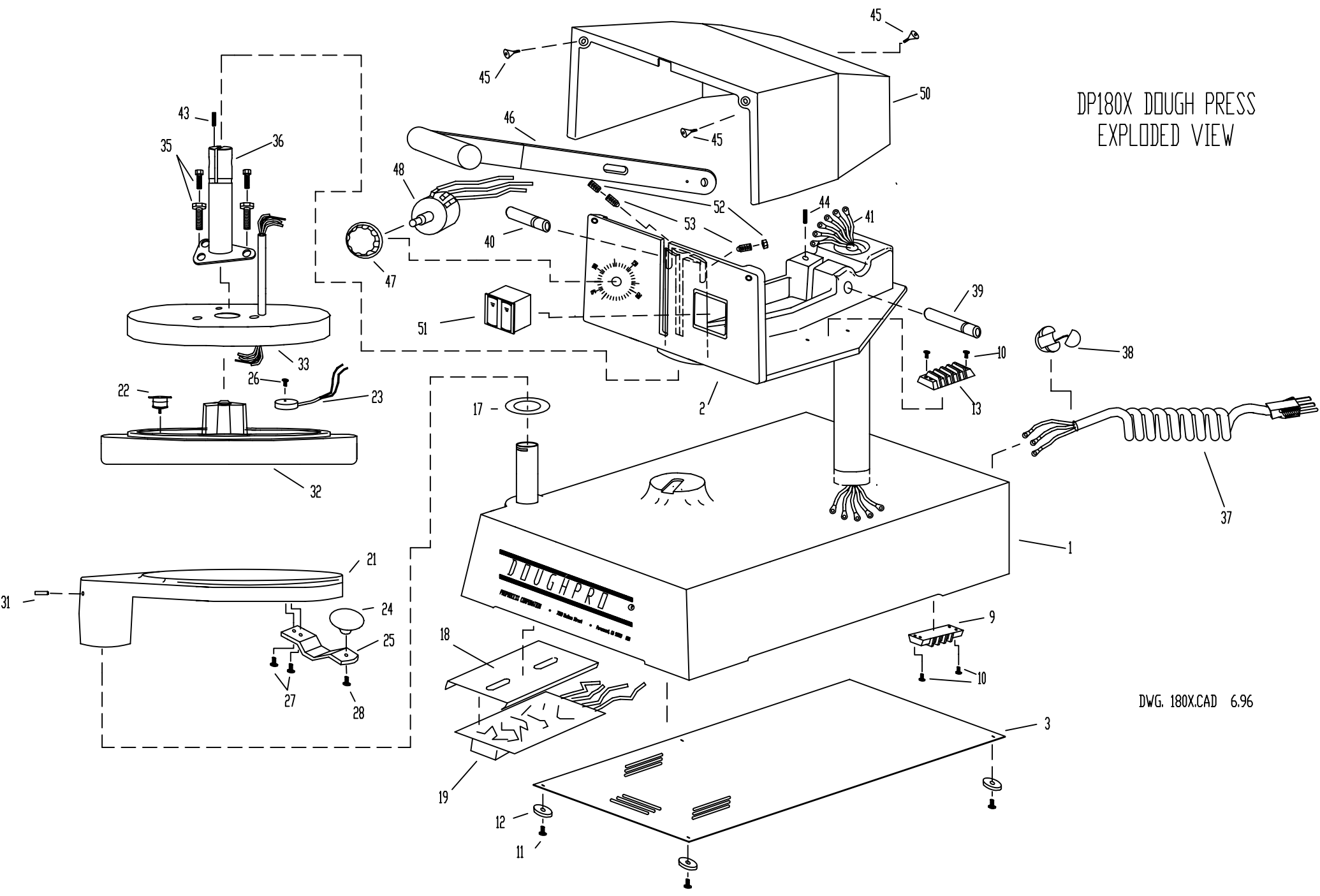
Exterior finish: Highly resistant power coat white gloss, approved for use with food products. Molds are probrite coated anti-stick surfaces.

Electrical: 120V / 60hz / 1ph / 750W / 6.25amps
240V / 50-60hz / 1ph / 1000W / 4.1amps
Provided with approved cord and plugs.

Shipping Weight: 35lbs. (16kg)



DP180X DOUGH PRESS
EXPLODED VIEW

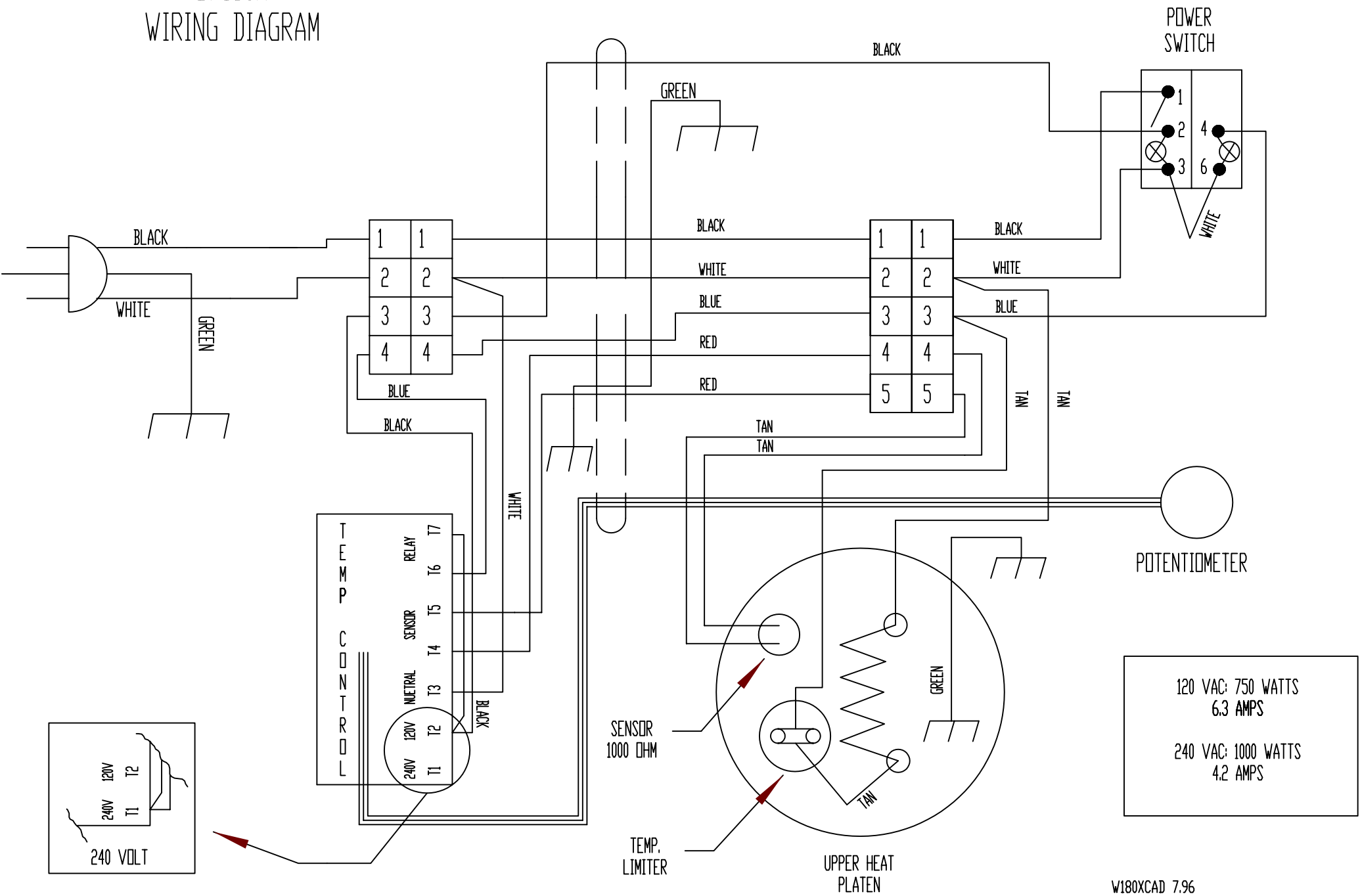


DWG. 180X.CAD 6.96

Parts List for DP180X

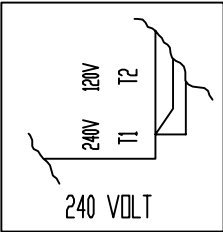
REF #	DESCRIPTION	DP180X 120 ~ AC
1	BASE ASSEMBLY	11038411
2	ARM	11038421
3	COVER PLATE, BASE 120V	11025454
9	TERMINAL BLOCK	6014
10	SCREW, TERMINAL BLOCK	SP83212
11	SCREW, COVER PLATE	SP83238
12	RUBBER FEET	2093W
13	TERMINAL BLOCK	6015
14	FUSE HOLDER	345601
15	FUSES 5/PACK	MPPF008
17	LOWER PLATEN SHIM	110486323 0030
18	MOUNTING RACK	11041271
19	TEMPERATURE CONTROL	T16A0318
21	6" LOWER PLATEN	110638326
21	7" LOWER PLATEN	110638327
21	8" LOWER PLATEN	110638328
21	9" LOWER PLATEN	110638329
22	LIMITER, TEMPERATURE	3455RC6025
23	SENSOR	110144110
24	KNOB, SWING AWAY (MUSHROOM)	110017
25	HANDLE, LOWER PLATEN (Bracket for 1808 & 1809)	11030963
25	HANDLE, LOWER PLATEN (Bracket for 1806 & 1807)	11065763
26	SCREW, PAN	SP632716S
27	SCREW, BUTTON HEAD	SB142012
28	SCREW, BUTTON HEAD	SB142058
31	PIN, ROLL	PR31658
32	UPPER PLATEN W/WIRE 120V	11063831102
32	UPPER PLATEN W/WIRE 240V	11063831103
33	SHROUD, UPPER PLATEN	110254368
34	HEX BOLT	BH10241
35	HEX BOLT (MACHINE)	11025467
36	PISTON ROD ASSEMBLY	11048674
37	CORD, POWER 120V	110174
37	CORD, POWER 240V	110175
38	STRAIN RELIEF (CORD)	MPPSS167
39	PIN, REAR HANDLE	110254262
40	PIN, FRONT HANDLE	110254261
41	CABLE, POWER DISTRIBUTION	110391067
43	SCREW, SET	SST832516
44	SCREW, SET	SST381612
45	SCREW, FLAT HEAD	SF102412P
46	HANDLE, PRESSURE ASSY.	11025490
47	TEMPERATURE CONTROL KNOB	1920C
50	HOUSING	11024622
51	POWER SWITCH 120V	11025452120
51	POWER SWITCH 240V	11025452240
52	HEX NUT	NH3816
53	DETENT, PLUNGER SWING	MPSP134

DP180X WIRING DIAGRAM



120 VAC: 750 WATTS
6.3 AMPS

240 VAC: 1000 WATTS
4.2 AMPS



120 ~ AC, 700 Watts, 6 Amps
240 ~ AC, 1000 Watts, 4.25 Amps

W180XCAD 7.96

INSTRUCTIONS FOR CLEANING

Use only mild soap and water on painted or non-stick coated surfaces. **Never use harsh abrasive cleaners, wire mesh pads, etc. These will inflict costly damage.** Cleaning should be performed whenever required, but at least once a day. Before cleaning turn machine off and allow to cool down. **NEVER SUBMERGE MACHINE OR ANY PART THEREOF IN WATER OR OTHER LIQUIDS.**



PLEASE READ CAREFULLY BEFORE ATTEMPTING TO USE THIS APPLIANCE.

LIMITED MACHINE WARRANTY

WHAT IS COVERED

Proprocess/Doughpro warrants the equipment, from manufacturing defects in workmanship and material sold within the domestic United States.

HOW LONG DOES THE COVERAGE LAST

One-year warranty for parts and labor. The heating elements on the upper and lower platens have a limited lifetime warranty on the elements.

WHAT WE WILL DO

We will repair or replace the defective equipment on normal warranty one-year parts and labor. The heating elements on the upper and lower platen only; will be replaced by next day air service; under the normal one-year warranty. Such repair or replacement will be at the expense of Proprocess Corporation under the normal one-year parts and labor warranty.

HOW TO GET SERVICE

Contact our Factory to obtain warranty service. Proprocess must issue a return authorization number, and call tag, or find the name and location of a Factory Authorized Service Center nearest you. When calling for service, please furnish the model number, serial number, and a description of the problem.

WHAT THIS WARRANTY DOES NOT COVER

THE WARRANTIES PROVIDED BY PROPROCESS/DOUGHPRO DO NOT APPLY IN THE FOLLOWING INSTANCES:

- Damage due to misuse, abuse, alteration, or accident.
- Improper or unauthorized repairs.
- Submerged in water.
(Excess water or chemical within the electrical panel)
- Dropped.
- Damage in shipment.
- Equipment exported to foreign countries.

FOR SERVICE CALL: (800) 624-6717

PROPROCESS CORPORATION
P.O. Box 869 • 7328 Madison St. • Paramount, CA 90723
(562) 531-0305 • (800) 624-6717 • Fax (562) 869-7715



DOUGHPRO®
PROPROCESS CORPORATION
Website: www.doughpro.com • E-Mail: info@doughpro.com

DOUGHPRO[®]

STEARNS PRODUCT DEVELOPMENT CORPORATION
20281 Harvill Ave, Perris, CA 92570 Tel: (800) 624-6717 - Fax: (951) 657-4594

Warranty & Return Policy

STEARNS PRODUCT DEVELOPMENT CORPORATION warrants all products manufactured by it against defects in workmanship or materials from the date of purchase for a period of (1) year on parts and labor. **This warranty applies to only equipment purchased and used in the United States.**

Exclusions:

- 1. WOOD / GAS FIRED OVENS:** STEARNS PRODUCT DEVELOPMENT CORPORATION warranty applies to the main body of the oven being steel / refractory and insulation shall be free from defects in materials and workmanship for a period of four (4) years from the date of purchase. The gas equipment shall be free from defects in materials and workmanship for a period of one (1) year from the date of purchase. This warranty excludes the tandoori and home oven.
- 2. TANDOORI & HOME OVENS:** STEARNS PRODUCT DEVELOPMENT CORPORATION warrants the Tandoori & Home Oven including gas equipment shall be free from defects in materials and workmanship for a period of one (1) year from the date of purchase.
- 3. Air compressors are excluded from this warranty,** but STEARNS PRODUCT DEVELOPMENT CORPORATION may act as a warranty expeditor in certain instances regarding these compressors. The air compressor manufacturer provides a limited warranty and a copy of this warranty is furnished with all compressors sold by STEARNS PRODUCT DEVELOPMENT CORPORATION. For prompt handling of compressor warranty claims the instructions of the compressor manufacturer must be adhered to.
- 4. Equipment built to special order as well as accessories** are not returnable unless defective within the terms of this warranty.
- 5. In no event shall STEARNS PRODUCT DEVELOPMENT CORPORATION be liable for consequential damages arising out of the failure of any of its products if operated improperly or caused by normal wear or damage by operator abuse.**

Returned Merchandise Policy:

Should it become necessary to return any of the company's products, the following instructions must be adhered to: First, contact our customer service department for approval and a return authorization number. *Please have the serial number of your item available at that time.* All merchandise must be shipped *freight prepaid* by customer or service agency. Subject to the inspection of the product by the company, a restocking charge of 20% of the Net purchased price paid to STEARNS PRODUCT DEVELOPMENT CORPORATION will be assessed. Merchandise may not be returned for credit without *prior written approval* of STEARNS PRODUCT DEVELOPMENT CORPORATION. Collect shipments *will not* be accepted. No returns after 60 days of original shipment date on machines. Purchased parts may not be returned after 30 days. If upon inspection by STEARNS PRODUCT DEVELOPMENT CORPORATION or its authorized agent it is determined the equipment has not been used in an appropriate manner, has been modified, or has not been properly maintained, or has been subject to misuse, misapplication, neglect, abuse, accident, unauthorized modification, damage during transit, delivery, fire, flood, act or war, riot or act of God, then this warranty shall be deemed null and void.

Terms & Conditions:

- Prices indicated in the PRICE LIST are suggested retail prices and are shown in U.S. DOLLARS.
- Terms of Payment: 2% 10 days, NET 30 days.
- NEW ACCOUNTS:** Satisfactory credit information must be provided before open account status can be extended. Unless agreed otherwise, all shipments will be made C.O.D., CASH IN ADVANCE.
- PRICING:** Prices, specifications, model numbers, capacities and accessories are subject to change without notice.
- FREIGHT / ROUTING:** Method of shipment will be determined by STEARNS PRODUCT DEVELOPMENT CORPORATION unless otherwise advised by PURCHASER.
- DAMAGED CLAIMS:** All merchandise shipped at purchaser's risk. Inspection must be made by purchaser at time goods are received. If goods are damaged, the PURCHASER shall request that the agent of the transportation company make a written notation on the proper shipping documents immediately and then file a claim for damage. **GOODS DAMAGED IN SHIPMENT ARE NOT RETURNABLE.**
- RETURNS:** Machines may not be returned after 60 days. Purchased parts may not be returned after 30 days. A restocking fee of 20% will be assessed on non-warranty returns.
- TAXES:** Prices indicated herein DO NOT include State, Federal, Local or foreign taxes or duties, nor do they include fees, permits, insurance or other levies, all of which are the responsibility of the purchaser.
- All orders are subject to acceptance by STEARNS PRODUCT DEVELOPMENT CORPORATION.
- Possession of this price list shall not be considered an offer to sell.