



# QM-30 • QM-45 Ice Cube Machines

## Model

- QM-30A     QM-45A



## Standard Features

- Compact size for easy placement under counters or as a stand alone.
- Ideal for any small-volume ice need with ice maker and bin in one.
- Clean, crisp, coordinated interior.
- AlphaSan® in key internal components to extend time between cleanings.
- Flat, right-angle plug for easier installation in tight spaces.
- Attractive, durable stainless steel cabinet.
- Easy access door, slides up & out of the way.
- Patented cleaning and sanitizing technology.
- Manitowoc's proven vertical evaporator using proprietary technology is made in Manitowoc, WI.
- Easy access air filter designed for longer operation in greasy and dusty environments.
- Front air intake and exhaust.
- CFC-FREE R-134A refrigerant.

- Ranging from 60 lbs. (27 kgs) to 95 lbs. (43 kgs) daily ice production with a storage capacity of 30 lbs. (14 kgs.)
- Only 19.69" (50 cm) wide, 22.34" (56.75 cm) deep, and 36" (91.44 cm) high on 6" (15.24 cm) legs.



## Specifications

### BTU Per Hour:

QM-30: 1,600 (average)  
2,350 (peak)

QM-45: 1,750 (average)  
2,600 (peak)

### Compressor:

Nominal rating: 1/4 HP

### Legs:

Adjustable from 6.00"-7.25"  
(15.24-17.78 cm).

### Ice Storage:

One piece bin liner (seamless)  
"rotocast" polyethylene.

### Insulation:

Insulation foamed-in-place  
with CFC-FREE foam.

### Operating Limits:

#### Ambient Temperature Range:

QM-30: 50° to 113°F  
(10° to 45°C)

QM-45: 40° to 110°F  
(1.6° to 43°C)

#### Water Temperature Range:

QM-30: 50° to 86°F  
(10° to 40°C)

QM-45: 33° to 90°F  
(0.6° to 32°C)

#### Water Pressure Ice Maker Water In:

QM-30: Min. 34 psi  
(240 kPa)  
Max. 90 psi  
(620 kPa)

QM-45: Min. 20 psi  
(138 kPa)  
Max. 80 psi  
(551 kPa)

## Ice Machine Electric

115/60/1. (230/50/1 also available.) 115/60/1 ice machines are factory pre-wired with a 6' (180 cm) power cord and NEMA 5-15P-plug configuration.

### Total ampacity:

QM-30: 5.3 amps.

QM-45: 5.2 amps.

### Maximum fuse size:

15 amps.

HACR-type circuit breakers can be used in place of fuses.

## Ice Shape

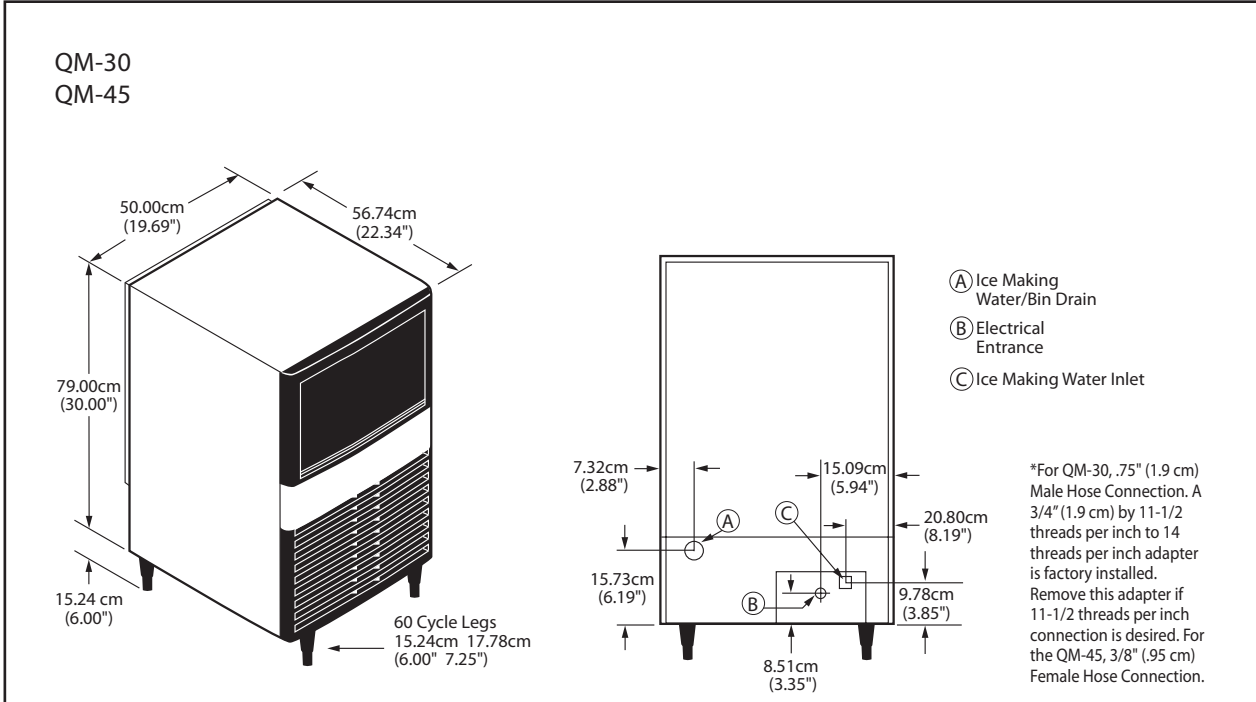


**Dice**  
7/8" x 7/8" x 7/8"  
(2.22 x 2.22 x 2.22 cm)





QM-30 • QM-45 Ice Cube Machines

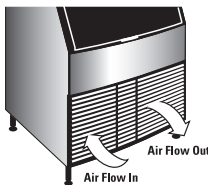


**Installation Note** - There is no minimum clearance required, however recommended clearance for top, sides, and back is 5" (12.7 cm).

Model	Ice Shape	Ice Production 24 Hours		Power kWh/100 lbs. @ 90°/70°F	Potable Water Usage @ 90°/70°F per 100 lbs/45.5 kgs of ice	Storage Bin Capacity
		70° Air/50°F Water 21° Air/10°C Water	90° Air/70°F Water 32° Air/21°C Water			
QM-30A	Dice	60 lbs.	49 lbs.	20.4	38.4 gal	30 lbs.
		27 kgs	22 kgs			14 kgs
QM-45A	Dice	95 lbs.	62 lbs.	15.1	38.6 gal	30 lbs.
		43 kgs	28 kgs			14 kgs

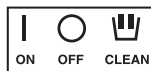
"A" following model number indicates "Air" cooled condensing unit.

**Air Flow Top View**



Air in left, air out right, no side vents. Great for installation under countertops and next to other equipment.

**Front Access**



Initiate ice, off and clean operations with simple upfront selector switch. No need to remove front panel. Now easier to see and access.

**Air Filter**



Slides out from left side front without tools, easy to clean, reusable filter protects condenser from lint, grease and dust.