



# CATALOG OF REPLACEMENT PARTS

## MODEL 6115 POTATO PEELER



**ML-137600**

**ML-137601**

**PRIOR MLS COVERED IN THIS  
CATALOG**

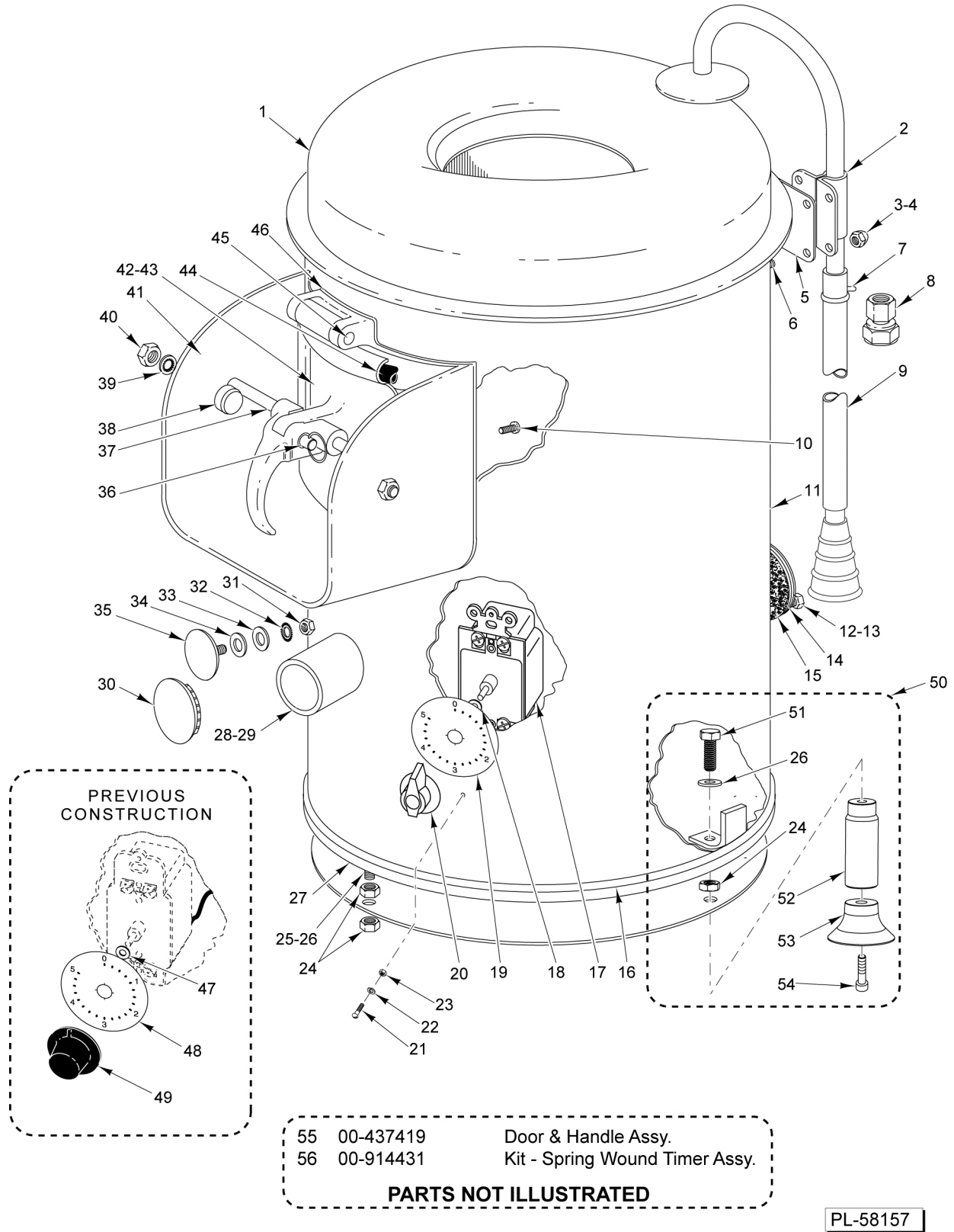
**ML-19869**

**ML-19683**



**Table of Contents**

5	HOUSING UNIT
7	DRIVE UNIT
9	PEEL TRAP UNIT (ML-16952-Z)
11	LINER
13	PORTABLE STAND AND BASKET



**PARTS NOT ILLUSTRATED**

PL-58157

**HOUSING UNIT**

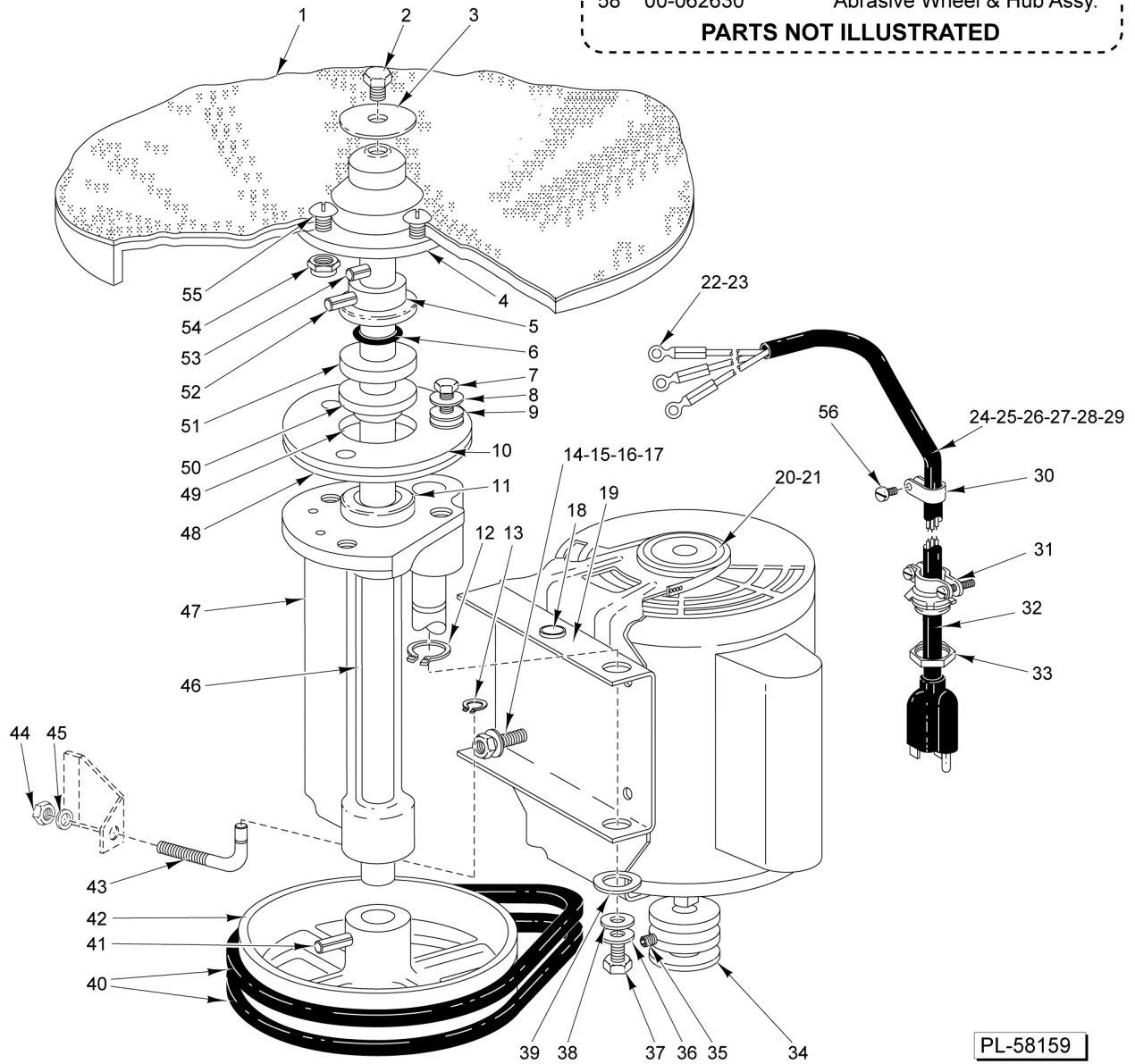
## HOUSING UNIT

ILLUS.	PART NO.	NAME OF PART	AMT.
PL-58157			
1	00-891514	Top - Hopper.....	1
2	00-064350	Fill Tube & Bracket Assy.....	1
3	NS-025-01	Crown Nut 10-24 (SST).....	4
4	WS-002-30	Washer.....	AR
5	00-063294	Gasket - Fill Assy.....	1
6	SC-025-07	Mach. Screw 10-24 x 5/16 Slotted Bndg. Hd. (SST).....	4
7	00-063242	Clamp - Hose.....	1
8	00-079404-00001	Coupling (1/2 In. Female Pipe x 1/2 In. Tube) (Use With Peel Trap Only).....	1
9	00-063456	Hose - Fill.....	1
10	SC-025-07	Mach. Screw 10-24 x 5/16 Slotted Bndg. Hd. (SST).....	11
11	00-891504	Housing Assy.....	1
12	00-070641-00018	Thumb Screw.....	2
13	NS-031-08	Stop Nut 8-32 Special (SST).....	1
14	00-124526	Cover - Reset Button.....	1
15	00-124529	Gasket - Reset Cover.....	1
16	00-062635-00001	Base - Rubber.....	1
*17	00-891510	Timer - Spring Wound (Intermatic) (Incls. Item 20).....	1
18	WS-003-25	Washer.....	1
19	00-914432	Dial - Adhesive (6430/6460) (Current Construction).....	1
20	00-891509	Knob - Timer (Current Construction).....	1
21	SC-021-08	Mach. Screw 6-32 x 3/8 Slotted Rd. Hd. (SST).....	2
22	WL-014-03	Lockwasher #6 External (SST).....	2
23	NS-011-07	Nut 6-32 Hex (SST).....	2
24	NS-018-06	Jam Nut 5/16-18 Hex (SST).....	8
25	SC-041-10	Cap Screw 5/16-18 x 5/8 Hex Hd. (SST).....	4
26	WS-017-08	Washer (SST).....	4
27	00-064351	Cover - Bottom Plate.....	1
28	00-538412	Clamp - Hose.....	1
29	00-069642	Hose - Drain.....	1
30	00-291592	Plug - Button (2 In.) (Use With Peel Trap Only).....	1
31	NS-009-22	Nut 10-24 Hex.....	1
32	WL-010-06	Lockwasher #10 External Shakeproof.....	1
33	WS-018-09	Washer.....	1
34	WS-022-16	Washer.....	1
35	00-063215	Timer Hole Cover & Screw Assy.....	1
36	00-292011-00004	Pin - Lock.....	1
37	00-437454	Door Handle - Locking Assy.....	1
38	00-064200-00002	Stud - Latch.....	2
39	WL-008-22	Lockwasher 5/16 Internal Shakeproof.....	2
40	NS-018-06	Jam Nut 5/16-18 Hex (SST).....	2
41	00-064219	Chute - Housing.....	1
42	00-078145	Bushing - Chute Door.....	1
43	00-102826	Door & Seal Assy. (Incls. Items 42 & 44).....	1
44	00-062372-00001	Seal - Chute Door.....	1
45	00-292011-00002	Pin - Lock.....	1
46	00-062387	Gasket - Chute Housing.....	1
47	WS-003-25	Washer.....	1
48	00-063206	Dial - Timer (Previous Construction).....	1
49	00-291748	Knob - Timer (Previous Construction).....	1
50	00-937924	Kit - Leg (Incls. Items 51 thru 54).....	4
51	SC-041-12	Cap Screw 5/16-18 x 7/8 Hex Hd. (SST).....	4
52	00-937923	Leg Assy. (Incls. Items 53 & 54).....	4
53	00-914835	Foot - Base.....	4
54	SC-059-32	Cap Screw 5/16-18 x 1 Hex Socket Hd.....	4
55	00-437419	Door & Handle Assy. (Incls. Items 36, 37, & 43).....	1
56	00-914431	Kit - Spring Wound Timer Assy. (Incls. Items 17, 19, 21, 22, & 23).....	1

\* On Machines Built Before March 7, 2006, Order 00-914431

57 00-985449 Kit - Drive Unit  
 58 00-062630 Abrasive Wheel & Hub Assy.

**PARTS NOT ILLUSTRATED**

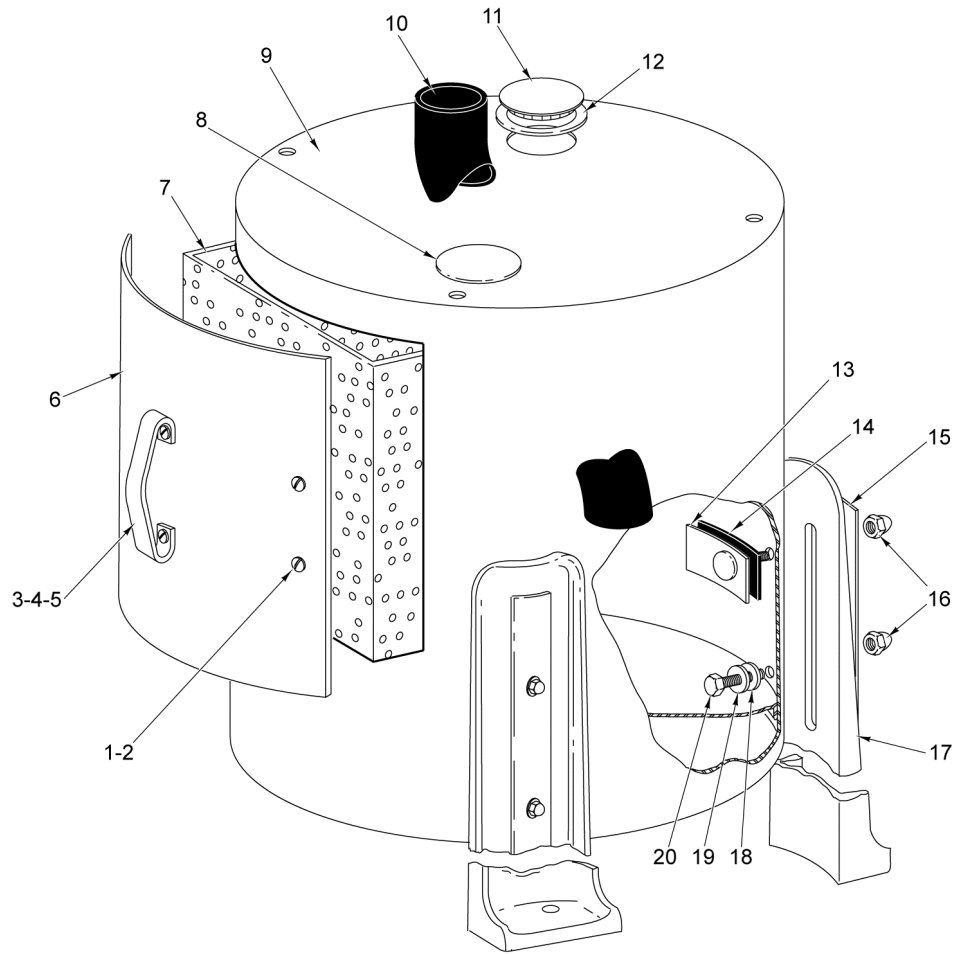


PL-58159

**DRIVE UNIT**

**DRIVE UNIT**

ILLUS.	PART NO.	NAME OF PART	AMT.
PL-58159			
1	00-117105	Abrasive Wheel.....	1
2	SC-067-23	Mach. Screw 5/16-18 x 3/8 Hex Hd.....	1
3	00-070706-00002	Washer - Sealer.....	1
4	00-291252	Hub - Abrasive Wheel.....	1
5	00-875019	Flange - Drive.....	1
6	00-067500-00009	O-Ring.....	1
7	SC-041-12	Cap Screw 5/16-18 x 7/8 Hex Hd. (SST).....	3
8	WL-006-23	Lockwasher 5/16 Helical (SST).....	3
9	WS-004-21	Washer.....	3
10	00-063208	Plate - Retaining.....	1
11	00-108394-00046	Sleeve - Bearing.....	2
12	RR-004-18	Retaining Ring.....	1
13	RR-007-10	Retaining Ring.....	1
14	SC-037-85	Cap Screw 5/16-18 x 1 Hex Hd.....	4
15	WL-003-44	Lockwasher 5/16 Helical.....	4
16	NS-013-14	Nut 5/16-18 Hex.....	4
17	WS-017-08	Washer (SST).....	4
18	FE-022-43	Bushing - Electric Snap.....	1
19	00-290027	Motor Sub-Base.....	1
20	00-278187-00001	Motor (115/230 V., 60 Hz., 1 Ph.).....	1
21	00-278187-00002	Motor (115/220 V., 50 Hz., 1 Ph.).....	1
22	SC-007-33	Mach. Screw 8-32 x 3/8 Rd. Hd.....	1
23	WL-008-07	Lockwasher #8 Internal Shakeproof.....	1
24	00-117542-00092	Cord & Plug Assy. (3 Cond., 125 V.) (Previous Construction).....	1
25	00-117542-00093	Cord & Plug Assy. (Previous Construction).....	1
26	00-117542-00094	Cord Assy. (Previous Construction).....	1
27	00-117542-00108	Cord & Plug Assy. (3 Cond., 125 V.) (Current Construction).....	1
28	00-117542-00109	Cord & Plug Assy. (Current Construction).....	1
29	00-117542-00107	Cord Assy. (Current Construction).....	1
30	00-078752-00003	Clamp - Cable (Cord & Plug).....	1
31	FE-002-27	Connector 1/2 Cord.....	1
32	FE-026-33	Relief - Strain.....	1
33	FE-006-05	Lock Nut 1/2.....	1
34	00-062670	Pulley - Motor.....	1
35	SC-047-26	Set Screw 1/4-28 x 3/8 Soc. Hd., Cup Pt.....	1
36	WL-003-38	Lockwasher 1/4 Helical.....	1
37	SC-036-14	Cap Screw 1/4-20 x 1/2 Hex Hd.....	1
38	WS-003-45	Washer.....	1
39	WS-010-36	Washer.....	1
40	00-063267	V-Belt (Order in Pairs Only).....	2
41	RP-002-19	Rollpin 3/16 Dia. x 13/8 Lg.....	1
42	00-063207	Pulley - Driven.....	1
43	00-875580	Tightener - Belt.....	1
44	NS-032-12	Stop Nut 5/16-18 Flexloc.....	1
45	WS-017-08	Washer (SST).....	1
46	00-062370	Shaft - Main Drive.....	1
47	00-063260	Bearing Carrier & Pivot Shaft Assy. (Incls. Items 11 & 50).....	1
48	00-064722	Gasket - Bearing Carrier.....	1
49	00-067500-00018	O-Ring.....	1
50	00-062368	Flange - Seal.....	1
51	00-062367	Seal - Graphitar.....	1
52	RP-002-18	Rollpin 1/4 Dia. x 1-1/4 Lg.....	1
53	RP-002-20	Rollpin 5/16 Dia. x 13/8 Lg.....	1
54	NS-032-35	Stop Nut 5/16-18 Flexloc.....	4
55	SC-041-15	Cap Screw 5/16-18 x 1-1/4 Hex Hd. (SST).....	4
56	SC-007-33	Mach. Screw 8-32 x 3/8 Rd. Hd.....	1
57	00-985449	Kit - Drive Unit (Incls. Items 5, 6, 11, 40, 49, 51, & 53).....	1
58	00-062630	Abrasive Wheel & Hub Assy. (Incls. Items 1 thru 4, 54, & 55).....	1



- |                              |           |                              |
|------------------------------|-----------|------------------------------|
| 21                           | 00-437460 | Strainer Bucket & Door Assy. |
| 22                           | 00-290580 | Leg Pack (Set of 3 Legs)     |
| <b>PARTS NOT ILLUSTRATED</b> |           |                              |

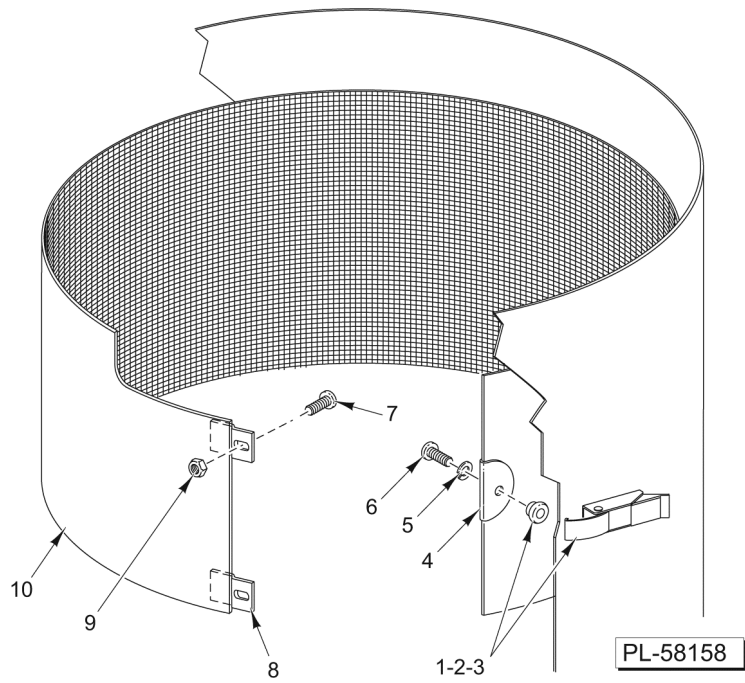
PL-56393

**PEEL TRAP UNIT (ML-16952-Z)**



**PEEL TRAP UNIT (ML-16952-Z)**

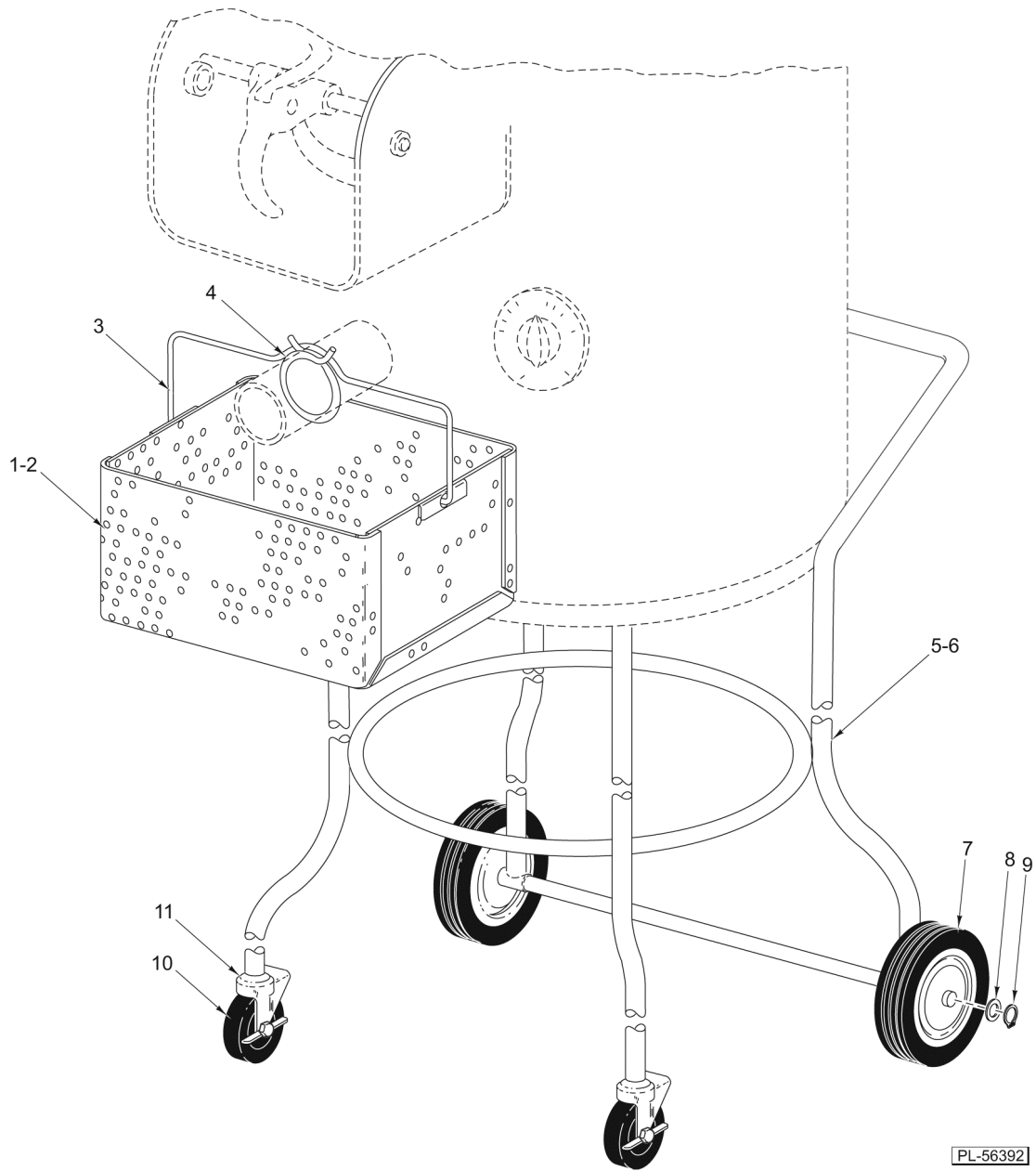
ILLUS.	PART NO.	NAME OF PART	AMT.
PL-56393			
1	SC-053-05	Mach. Screw 10-24 x 3/8 Slotted Truss Hd. (SST).....	4
2	NS-031-15	Stop Nut 10-24 Hex (SST) (Elastic).....	4
3	00-111303-00002	Handle - Door Strainer.....	1
4	SC-053-05	Mach. Screw 10-24 x 3/8 Slotted Truss Hd. (SST).....	2
5	NS-031-15	Stop Nut 10-24 Hex (SST) (Elastic).....	2
6	00-291437	Door - Strainer.....	1
7	00-437461	Strainer Bucket Assy.....	1
8	00-064877	Grommet - Drain Hose.....	1
9	00-290404	Peel Trap Housing Assy.....	1
10	00-063273	Hose - Drain (Peel Trap).....	1
11	00-291592	Plug - Button (2 In.).....	1
12	00-064953	Gasket - Plug Button.....	1
13	00-077620	Inside Leg Clamp and Bolt Assy.....	3
14	00-062601-00002	Gasket - Leg Screw.....	3
15	00-077619	Cover - Leg Slot.....	3
16	NS-025-16	Acorn Nut 3/8-16.....	6
17	00-077618	Leg - Peel Trap.....	3
18	WS-006-13	Washer (Lead).....	3
19	WS-006-44	Washer.....	3
20	SC-041-28	Cap Screw 3/8-16 x 3/4 Hex Hd.....	3
21	00-437460	Strainer Bucket & Door Assy. (Incls. Items 1 thru 7).....	1
22	00-290580	Leg Pack (Set of 3 Legs).....	1



**LINER**

**LINER**

<b>ILLUS.</b>	<b>PART NO.</b>	<b>NAME OF PART</b>	<b>AMT.</b>
<b>PL-58158</b>			
1	00-479480	Latch - Keeper & Draw.....	1
2	SC-021-98	Mach. Screw 8-32 x 3/8 Phil. Rd. Hd. (SST).....	2
3	NS-031-08	Stop Nut 8-32 Special (SST).....	2
4	00-479473	Bracket - Liner.....	1
5	WL-006-11	Lockwasher #12 Light (SST).....	1
6	SC-066-26	Mach. Screw 12-24 x 1/2 Phil. Truss Hd. (SST).....	1
7	SC-109-62	Mach. Screw 10-24 x 3/8 Slotted Pan Hd.....	2
8	00-479475	Bracket - Liner LH.....	2
9	NS-031-15	Stop Nut 10-24 Hex (SST).....	2
10	00-479494-00001	Liner Service Assy. (Use For Service).....	1



**PORTABLE STAND AND BASKET**

**PORTABLE STAND AND BASKET**

ILLUS.	PART NO.	NAME OF PART	AMT.
PL-56392			
1	00-290322	Basket Assy. (Peel Trap) (Incls. Items 3 & 4) (ML-19869 & ML-137600).....	1
2	00-290471	Basket Assy. (Peel Trap) (Incls. Items 3 & 4) (ML-19683 & ML-137601).....	1
3	00-069560	Handle - Basket.....	1
4	00-534651	Clamp - Hose #32.....	1
5	00-290321	Portable Stand Assy. (Incls. Items 7 thru 11) (ML-19869 & ML-137600).....	1
6	00-290472	Portable Stand Assy. (Incls. Items 7 thru 11) (ML-19683 & ML-137601).....	1
7	00-068881-00013	Wheel - Rear.....	2
8	WS-008-09	Washer.....	2
9	RR-010-12	Retaining Ring.....	2
10	00-068881-00014	Caster - Front.....	2
11	00-068881-00015	Socket - Caster.....	2

