

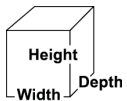
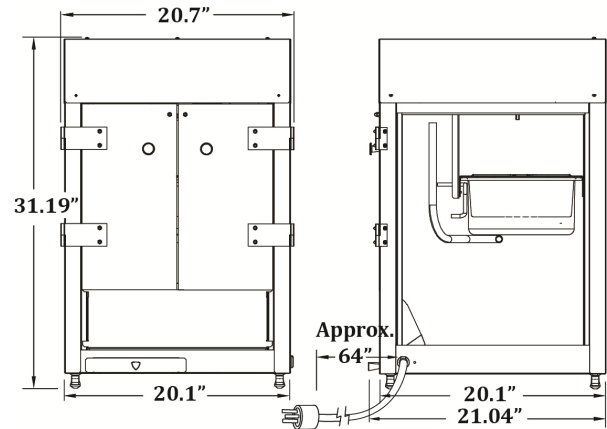


GOLD MEDAL® PRODUCTS CO.

Pop Maxx 12/14 oz.

Model No. 2552

Specifications



Overall Dimensions:

- Width:** 20.7" (52.6 cm)
- Depth:** 21.04" (53.5 cm)
- Height:** 31.19" (79.2 cm)

Features:

- 12/14 oz. Stainless Steel Kettle
- No lighted sign
- Ideal Cart, Model No. 2148ST (sold separately); requires Spacer 13318 (sold separately).

Electrical - Domestic

120V
 1380 WATTS 60 Hz
 (NEMA 5-15P) Plug

Plug Type:



Agency Approvals:



Gold Medal Products Co.
 10700 Medallion Drive, Cincinnati, OH 45241

Ph: (513) 769-7676, (800) 543-0862; Fax: (513) 769-8500
 gmpopcorn.com info@gmpopcorn.com