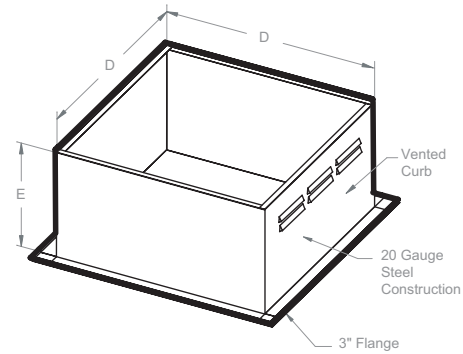
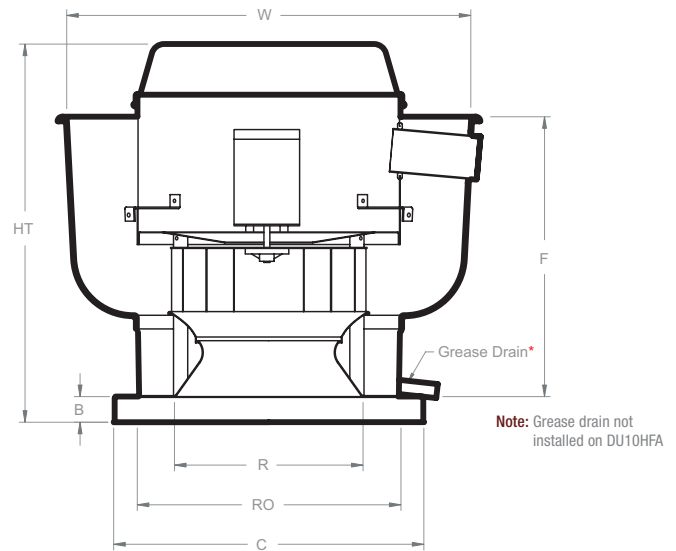


DU-HFA Direct Drive Centrifugal Upblast Fans



Features & Benefits

- Completely enclosed drive compartment protects motor from airborne contaminants
- Forced fresh air through the motor compartment cools motor and ensures long motor life
- Variable speed control on single phase units only
- Variable Frequency Drive required for three phase units
- Non-overloading backward inclined wheels, blades and inlets fabricated from 3003-H14 aluminum
- All sizes can be wall mounted
- Quick release latches allow for easy access to motor compartment
- External disconnect switch
- Fully welded leak proof grease drain

Options

- ECM Motor
- Gravity Damper (UL705 only)
- Motorized Damper (UL705 only)
- Wall Mount Sleeve
- Roof Curb (Vented and Non-vented)
- Grease Collection Box (size 12 and larger)
- Bird Screen (UL705 only)
- Base Hinging Kit or Hinged Sub Base (for NFPA96 compliance)

Certifications



CaptiveAire certifies that Model DU10HFA thru DU85HFA shown herein are licensed to bear the AMCA seal. The ratings shown are based on tests and procedures performed in accordance with AMCA Publication 211 and Publication 311, and comply with the requirements of the AMCA Certified Rating Program.



Models DU10HFA thru DU85HFA are ETL Listed under file number 3049729-002 and comply with UL705 (electrical) Standards and CSA Std C22.2, No 113.

Models DU12HFA thru DU85HFA are ETL Listed under file number 3049729-001 and comply with UL762 Standards.

Measurements

MODEL	HT	W	B	C	D	E	F	R	RO	Weight (lbs)
DU10HFA	14 1/2	17 3/4	2	19	17 1/2	12	9 1/2	8 1/8	13	30
DU12HFA	18	22	2	19	17 1/2	12	14 1/2	10 5/8	13	40
DU30HFA	25 1/4	25 1/2	2	21	19 1/2	12	18 1/2	12 1/8	16	50
DU33HFA	25 1/4	25 1/2	2	21	19 1/2	12	18 1/2	12 1/8	16	50
DU50HFA	27 1/4	28 7/8	2	21	19 1/2	12	21 1/2	13 1/4	16	55
DU85HFA	30 1/2	31 7/8	2	24 3/4	23	12	23	14 7/8	20	60
DU180HFA	33 3/4	39 3/8	2	28	26 1/2	12	22 5/8	16 1/2	24	190
DU200HFA	33 3/8	38 7/8	2	28	26 1/2	12	29 1/2	18	24	195
DU240HFA	37 1/2	43 3/8	2	33	31 1/2	12	30 5/8	23 7/8	28	270
DU300HFA	40	52 3/4	2	40	38 1/2	12	33 1/2	24	36	410
DU360HFA	45 9/16	63 7/16	2	44	42 1/2	12	43 7/16	25 1/4	40	470

BHP (Brake Horsepower): The actual power developed by a motor as measured by the force applied to a shaft or flywheel.

		0.00"	0.125"	0.25"	0.375"	0.50"	0.625"	0.75"	0.875"	1.00"	1.125"	1.25"	1.375"	1.50"	1.75"	2.00"
MODEL	CFM	RPM Sone/BHP	RPM Sone/BHP	RPM Sone/BHP	RPM Sone/BHP	RPM Sone/BHP	RPM Sone/BHP	RPM Sone/BHP	RPM Sone/BHP	RPM Sone/BHP	RPM Sone/BHP	RPM Sone/BHP	RPM Sone/BHP	RPM Sone/BHP	RPM Sone/BHP	RPM Sone/BHP
DU10HFA	250	755 1.6 / 0.01	969 2.5 / 0.02	1152 4.1 / 0.03	1309 5.7 / 0.04	1453 7.5 / 0.06	1582 8.8 / 0.08	1689 9.7 / 0.10	1799 10.5 / 0.12							
DU10HFA	300	906 2.6 / 0.01	1091 3.4 / 0.03	1255 5.1 / 0.04	1402 6.8 / 0.06	1531 8.4 / 0.07	1657 9.4 / 0.09	1765 10.3 / 0.11								
DU10HFA	350	1054 3.6 / 0.02	1215 4.7 / 0.04	1362 6.3 / 0.05	1496 8.1 / 0.07	1620 9.1 / 0.09	1741 10.1 / 0.11									
DU10HFA	400	1205 5.3 / 0.04	1351 6.3 / 0.05	1481 7.9 / 0.07	1606 9.0 / 0.08	1724 9.9 / 0.10										
DU10HFA	450	1355 7.1 / 0.05	1485 8.3 / 0.07	1607 9.0 / 0.08	1718 9.9 / 0.10											
DU10HFA	500	1506 9.4 / 0.07	1623 9.6 / 0.09	1730 10.0 / 0.10												
DU10HFA	550	1657 10.7 / 0.09	1763 10.9 / 0.11													
DU12HFA	300	509 0.4 / 0.01	746 1.8 / 0.02	940 3.2 / 0.04	1103 4.5 / 0.06	1245 6.1 / 0.08	1370 7.5 / 0.11	1478 8.9 / 0.14	1587 10.0 / 0.18	1676 10.8 / 0.21						
DU12HFA	400	677 1.5 / 0.01	866 2.8 / 0.03	1028 3.9 / 0.05	1180 5.4 / 0.07	1311 6.8 / 0.10	1434 8.3 / 0.13	1544 9.6 / 0.16	1646 10.5 / 0.20	1739 11.4 / 0.23						
DU12HFA	500	846 2.9 / 0.03	1002 4.0 / 0.04	1142 5.2 / 0.07	1272 6.4 / 0.09	1393 7.8 / 0.12	1511 9.3 / 0.15	1613 10.2 / 0.18	1718 11.2 / 0.22							
DU12HFA	600	1015 4.4 / 0.05	1149 5.7 / 0.07	1268 6.8 / 0.09	1382 8.0 / 0.12	1493 9.3 / 0.15	1596 10.1 / 0.18	1695 11.0 / 0.21	1791 11.9 / 0.25							
DU12HFA	700	1184 6.4 / 0.07	1304 7.7 / 0.10	14008 8.9 / 0.12	1509 10.0 / 0.15	1606 10.6 / 0.18	1699 11.3 / 0.22	1790 12.0 / 0.25								
DU12HFA	800	1351 8.6 / 0.11	1457 10.1 / 0.14	1553 11.0 / 0.16	1643 11.6 / 0.19	1732 12.1 / 0.23										
DU12HFA	900	1520 11.1 / 0.15	1616 11.9 / 0.19	1705 12.7 / 0.22	1786 13.2 / 0.25											
DU12HFA	1000	1689 12.8 / 0.21	1776 13.7 / 0.25													
DU30HFA	750	945 4.9 / 0.04		1133 6.8 / 0.07		1307 8.9 / 0.12		1462 11.1 / 0.16		1609 13.3 / 0.21						
DU30HFA	850	1071 6.1 / 0.05		1239 8.1 / 0.09		1396 10.1 / 0.14		1543 12.3 / 0.19								
DU30HFA	950	1195 7.5 / 0.08		1348 9.5 / 0.12		1491 11.5 / 0.17										
DU30HFA	1050	1321 9.1 / 0.10		1460 11.0 / 0.15		1593 13.0 / 0.20										
DU30HFA	1150	1447 10.8 / 0.13		1575 12.8 / 0.18												
DU30HFA	1250	1572 12.7 / 0.17														
DU33HFA	400	491 0.8 / 0.01	688 2.3 / 0.02	835 3.7 / 0.04	957 5.0 / 0.06	1064 6.0 / 0.08	1166 7.1 / 0.11	1258 8.3 / 0.14	1347 9.5 / 0.17	1434 10.7 / 0.20	1515 11.9 / 0.24	1594 13.2 / 0.28	1667 14.4 / 0.32			
DU33HFA	500	611 1.7 / 0.02	779 3.1 / 0.03	917 4.6 / 0.05	1031 5.7 / 0.07	1131 6.8 / 0.10	1222 7.8 / 0.12	1309 8.9 / 0.15	1393 10.1 / 0.18	1471 11.3 / 0.22	1548 12.4 / 0.25	1618 13.6 / 0.29	1689 14.8 / 0.33			
DU33HFA	600	734 2.7 / 0.03	873 4.1 / 0.05	1000 5.4 / 0.07	1113 6.6 / 0.09	1207 7.7 / 0.12	1296 8.8 / 0.15	1376 9.9 / 0.18	1453 11.0 / 0.21	1527 12.1 / 0.24	1596 13.2 / 0.28	1667 14.4 / 0.32				
DU33HFA	700	857 3.9 / 0.04	974 5.2 / 0.06	1094 6.3 / 0.09	1199 7.5 / 0.12	1292 8.7 / 0.15	1375 9.8 / 0.18	1452 11.0 / 0.21	1525 12.1 / 0.24	1595 13.2 / 0.28	1663 14.3 / 0.31					
DU33HFA	800	979 5.2 / 0.06	1080 6.2 / 0.09	1189 7.4 / 0.11	1288 8.7 / 0.15	1377 9.9 / 0.18	1457 11.1 / 0.21	1533 12.2 / 0.25	1603 13.3 / 0.28	1670 14.5 / 0.32						
DU33HFA	900	1102 6.4 / 0.09	1189 7.4 / 0.11	1286 8.6 / 0.14	1380 9.9 / 0.18	1466 11.2 / 0.21	1544 12.4 / 0.25	1619 13.6 / 0.29	1685 14.7 / 0.33							
DU33HFA	1000	1224 7.9 / 0.13	1300 8.8 / 0.15	1387 10.0 / 0.18	1475 11.3 / 0.22	1558 12.6 / 0.26	1634 13.8 / 0.30									
DU33HFA	1100	1346 9.4 / 0.17	1416 10.4 / 0.19	1493 11.6 / 0.23	1574 12.8 / 0.27	1652 14.2 / 0.31										
DU33HFA	1200	1469 11.2 / 0.22	1531 12.2 / 0.24	1600 13.2 / 0.28	1674 14.5 / 0.32											
DU33HFA	1300	1591 13.1 / 0.27	1648 14.1 / 0.31													
DU50HFA	600	459 1.2 / 0.01		774 4.6 / 0.05		993 7.3 / 0.11		1172 10.0 / 0.18		1322 12.5 / 0.26		1456 15.0 / 0.35		1575 17.4 / 0.44		
DU50HFA	900	687 3.5 / 0.04		933 6.5 / 0.09		1118 9.1 / 0.16		1278 11.8 / 0.24		1422 14.4 / 0.33		1554 17.0 / 0.43				
DU50HFA	1200	915 6.3 / 0.09		1117 9.1 / 0.16		1277 11.7 / 0.24		1418 14.3 / 0.32		1548 16.8 / 0.42						
DU50HFA	1500	1143 9.5 / 0.17		1315 12.4 / 0.26		1455 15.0 / 0.35		1582 17.5 / 0.45								
DU50HFA	1800	1372 13.4 / 0.29		1519 16.3 / 0.40		1645 18.9 / 0.50										
DU50HFA	2100	1601 17.9 / 0.46														
DU85HFA	800	389 1.1 / 0.01		633 1.1 / 0.01		802 6.5 / 0.10		942 8.3 / 0.17		1062 10.0 / 0.24						
DU85HFA	1000	485 2.3 / 0.02		700 5.0 / 0.07		856 7.2 / 0.12		988 9.0 / 0.19		1105 10.8 / 0.27		1211 12.7 / 0.35		1305 14.6 / 0.44		
DU85HFA	1200	582 3.4 / 0.04		773 6.0 / 0.09		917 8.0 / 0.15		1041 9.7 / 0.22		1152 11.6 / 0.30		1254 13.6 / 0.39		1348 15.4 / 0.49	1435 17.4 / 0.59	1517 19.1 / 0.69
DU85HFA	1400	679 4.7 / 0.06		848 7.1 / 0.12		985 8.9 / 0.19		1101 10.7 / 0.27		1206 12.6 / 0.35		1302 14.5 / 0.44		1394 16.5 / 0.54	1478 18.2 / 0.64	1559 20 / 0.75
DU85HFA	1600	776 6.1 / 0.09		928 8.1 / 0.16		1057 10.0 / 0.23		1167 11.9 / 0.32		1267 13.8 / 0.40		1359 15.7 / 0.50		1445 17.6 / 0.60	1527 19.3 / 0.71	
DU85HFA	1800	873 7.4 / 0.13		1010 9.3 / 0.20		1131 11.3 / 0.29		1237 13.2 / 0.38		1331 15.1 / 0.47		1420 17.0 / 0.57		1503 18.8 / 0.67		
DU85HFA	2000	969 8.7 / 0.18		1093 10.5 / 0.26		1208 12.7 / 0.35		1309 14.6 / 0.45		1401 16.6 / 0.55		1485 18.4 / 0.65				

