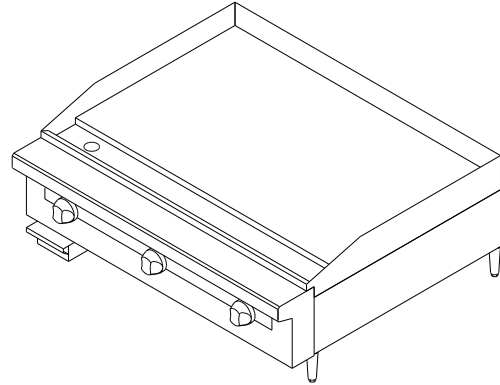


GENERAL SPECIFICATIONS

- *All gas counter series consist of a welded frame construction for strength and durability.
- *Models ranging from 12", 24", 36", 48", 60", 72" are standard sizes.
- *All counter models are range match when placed on equipment stand (optional)

STANDARD FEATURES

- *Fully stainless steel exterior.
- *4" Adjustable legs.
- *Gas pressure regulator
- *One year limited parts and labor warranty.



MODEL # TC36G (shown)

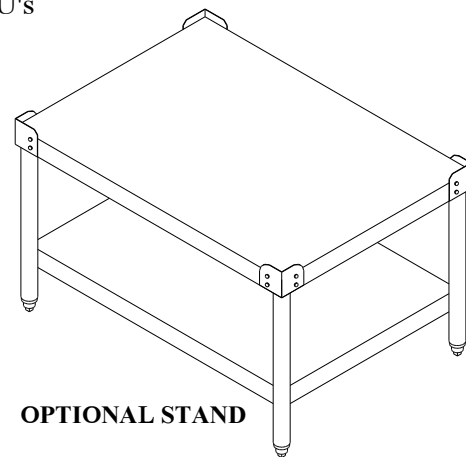
GRIDDLES

- *3/4" thick polished steel plate
- *Spatula width grease trough
- *One heavy duty "U" burner per 12" section @ 30,000 BTU's
- *Each 12" section is controlled by a valve or a thermostat
- *Large capacity grease can with intergral lid

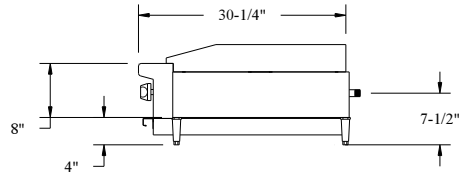
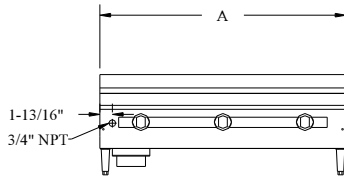
OPTIONAL FEATURES

Thicker plates available as options. Refer to price list for available options and prices or call factory.

Stainless steel equipment stand with bottom shelf,
Sizes: 12", 24", 36", 48", 60", and 72".



OPTIONAL STAND

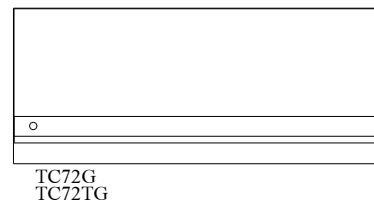
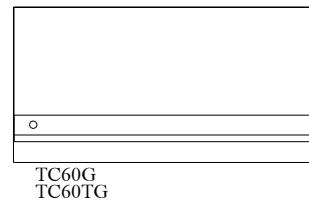
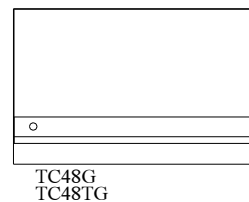
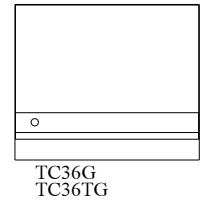
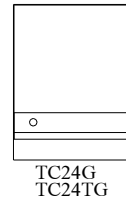
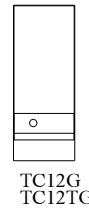


GAS REQUIREMENTS

- *Manifold pressure
 - *5.0" WC Natural Gas (NAT)
 - *10.0" WC Propane Gas (LP)
 - *When ordering please specify Natural or Propane Gas
- *Manifold 3/4" NPT
- *Input rating per burner
 - *Griddle burner: 30,000 BTU/Hr

*TOTAL GAS CONSUMPTION PER MODEL	BURNERS	A
*TC12G(T): 30,000 BTU/Hr	1	12"
*TC24G(T): 60,000 BTU/Hr	2	24"
*TC36G(T): 90,000 BTU/Hr	3	36"
*TC48G(T): 120,000 BTU/Hr	4	48"
*TC60G(T): 150,000 BTU/Hr	5	60"
*TC72G(T): 180,000 BTU/Hr	6	72"

* (T) denotes thermostatically controlled griddles



CLEARANCES

Sides Back

- *Non Combustible 0" 6"
- *Combustible 6" 12"



WARRANTY

All THERMA-TEK Counter Series are covered by a one year limited parts and labor warranty. A detailed warranty is included with the appliance or is available upon request