



**NSA15**

316.57 lbs

Supply Unit with 15" Blower in Size #2 Housing

**Motor**

Model 00218OS1BAOE56Z-40PP • 2 HP • 1 Phs •  
115/208-230 V • 25/13.2-12.5 FLA • 60 Hz • ODP (Open  
Drip Proof)

**Performance**

- Volume: 0 cfm
- SP: 0" w.g.  
(0" Ext + 0" Opt /Int )
- BHP: 0
- RPM: 0
- Tip Speed:

**Construction Features**

Housing constructed of heavy duty G90 galvanized steel <sup>FF</sup>  
Forward curved centrifugal blower wheel <sup>FF</sup> Vibration  
isolation <sup>FF</sup> Adjustable drive assemblies <sup>FF</sup> Adjustable motor  
mount <sup>FF</sup> Ball bearing motors <sup>FF</sup> Heavy duty, pre-lubricated  
bearings rated for 200,000 hours of operation <sup>FF</sup> Static  
resistant belts <sup>FF</sup> Service lid <sup>FF</sup> Horizontal & down discharge  
<sup>FF</sup> Weatherproof safety disconnect switch <sup>FF</sup> 2" washable  
intake filters <sup>FF</sup> High Efficiency Motors

**Blower**

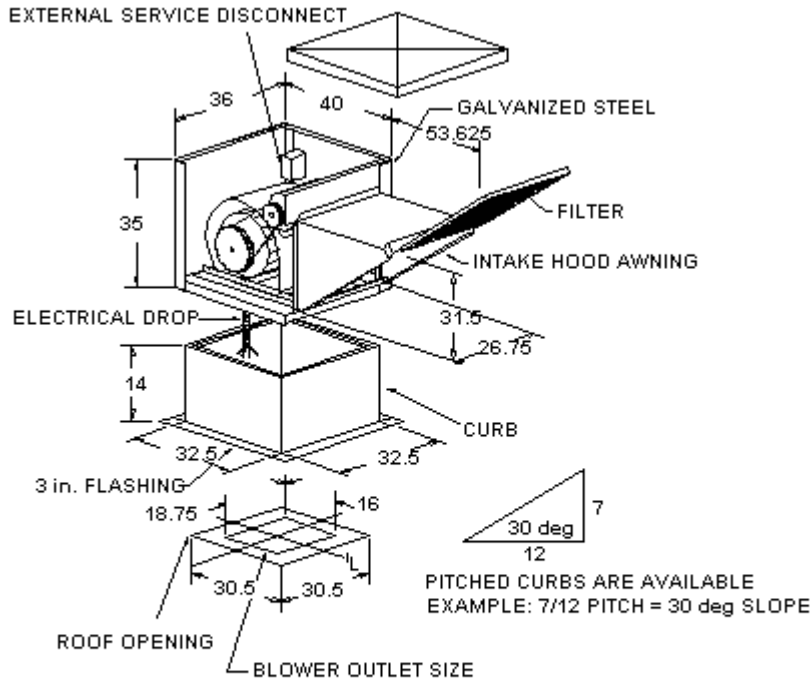
15" forward curved, centrifugal blower. Permanently  
lubricated ball bearings. Galvanized finish. 1" x 25" Shaft.  
2000-7500 CFM. 1800 max. RPM. Used in heated and  
non-heated supply fans.

**Intake**

Sloped Filtered Intake for Size #2 Standard Untempered  
Make-Up Air Unit with 15" blower wheel. 26.813" Wide X  
53.625" Long X 31.313" High. Includes 2" MV EZ Kleen  
Metal Mesh Filters.

**Filters**

3 - MV EZ Kleen Metal Mesh Filter. 20"x 25"x 2" Used for  
heater and supply fan intakes. (3416)



All dimensions nominal and in inches.