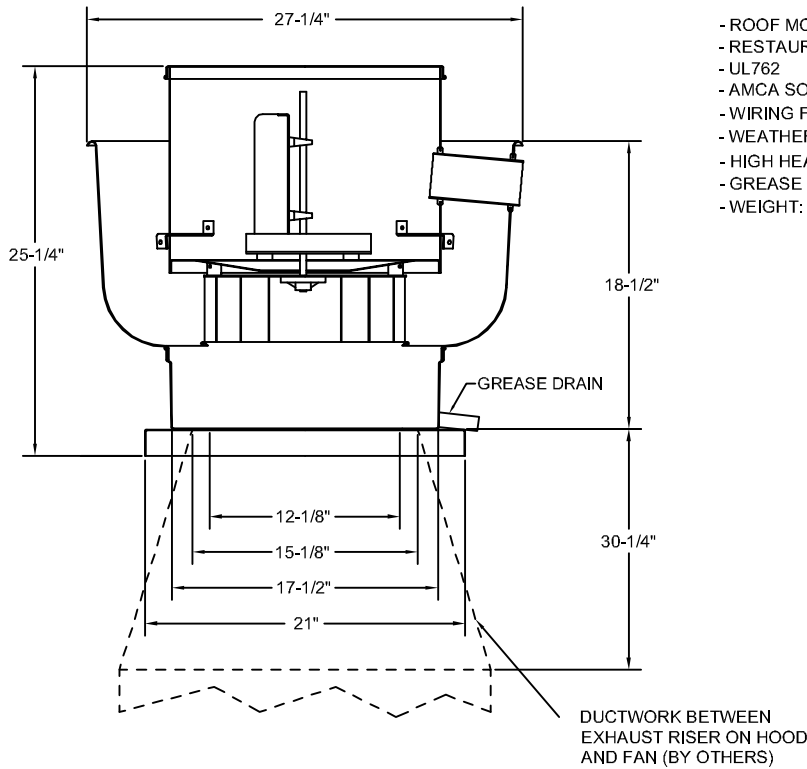
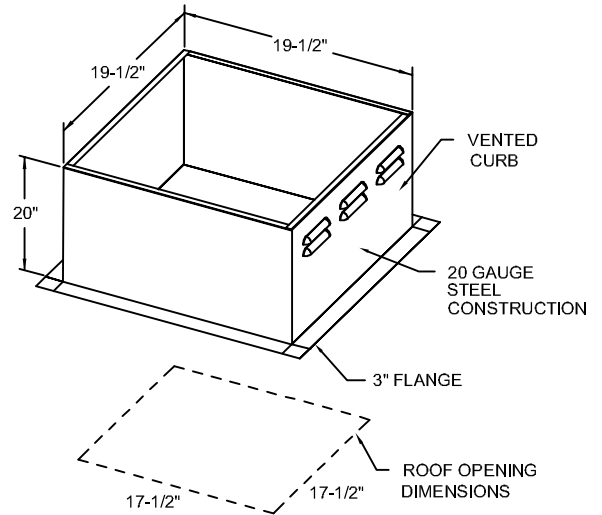


DU30H860 DIRECT DRIVE EXHAUST FAN



- ROOF MOUNTED FAN
- RESTAURANT MODEL
- UL 762
- AMCA SOUND AND AIR CERTIFIED
- WIRING FROM MOTOR TO DISCONNECT SWITCH
- WEATHERPROOF DISCONNECT
- HIGH HEAT OPERATION 300°F (149°C)
- GREASE CLASSIFICATION TESTING
- WEIGHT: 105 LBS

ROOF CURB/FLASHING



PERFORMANCE DATA							
FAN MODEL	RPM	S.P.	CFM	VOLTAGE	PHASE	AMPS	H.P.
DU30H860	1445	0.5"	860	115	1	4.0	0.25

PITCHED CURBS ARE AVAILABLE FOR PITCHED ROOFS.

