

INSTALLATION & OPERATION MANUAL GAS CHARBROILERS

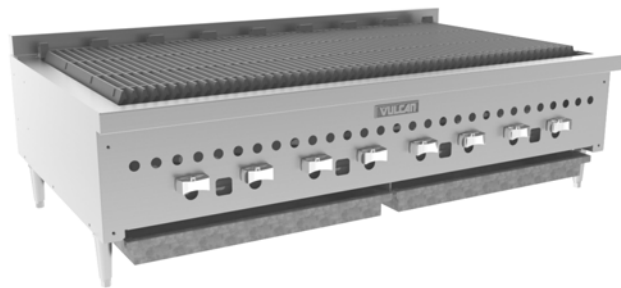
ITW Food Equipment Group



VULCAN

MODELS

VCCB25
VCCB36
VCCB47
VCCB60
VCCB72



VCCB47

SCB25
SCB36
SCB47
SCB60
SCB72



SCB47

IMPORTANT FOR YOUR SAFETY

THIS MANUAL HAS BEEN PREPARED FOR PERSONNEL QUALIFIED TO INSTALL GAS EQUIPMENT, WHO SHOULD PERFORM THE INITIAL FIELD START-UP AND ADJUSTMENTS OF THE EQUIPMENT COVERED BY THIS MANUAL.

POST IN A PROMINENT LOCATION THE INSTRUCTIONS TO BE FOLLOWED IN THE EVENT THE SMELL OF GAS IS DETECTED. THIS INFORMATION CAN BE OBTAINED FROM THE LOCAL GAS SUPPLIER.

IMPORTANT

IN THE EVENT A GAS ODOR IS DETECTED, SHUT DOWN UNITS AT MAIN SHUTOFF VALVE AND CONTACT THE LOCAL GAS COMPANY OR GAS SUPPLIER FOR SERVICE.

FOR YOUR SAFETY

DO NOT STORE OR USE GASOLINE OR OTHER FLAMMABLE VAPORS OR LIQUIDS IN THE VICINITY OF THIS OR ANY OTHER APPLIANCE.

WARNING

Improper installation, adjustment, alteration, service or maintenance can cause property damage, injury, or death. Read the installation, operating and maintenance instructions thoroughly before installing or servicing this equipment.

IN THE EVENT OF A POWER FAILURE, DO NOT ATTEMPT TO OPERATE THIS DEVICE.

INSTALLATION, OPERATION AND CARE OF GAS CHARBROILERS

GENERAL

Gas Countertop Charbroilers are designed for commercial use only and feature fast, efficient gas heat. Each burner is controlled by an adjustable gas valve. Cast radiants are located directly above each burner to maintain uniform temperature. Radiants are easily removed for cleaning when cool.

Heavy-duty, cast iron top grates are reversible to allow all or part of the cooking grid surface to be level or sloped. Grooves, cast in the top grates, permit fat runoff and reduce flaring when tilted towards the front. A grease drawer is provided to collect fat run-off; it opens to the front for inspection or drain-off.

Model	Number of Burners	BTU/hr Input Rating
VCCB25, SCB25	4	58,000
VCCB36, SCB36	6	87,000
VCCB47, SCB47	8	116,000
VCCB60, SCB60	11	159,500
VCCB72, SCB72	13	188,500

INSTALLATION

UNPACKING

Immediately after unpacking, check for possible shipping damage. If the charbroiler is found to be damaged, save the packaging material and contact the carrier within 15 days of delivery.

Carefully unpack your charbroiler and make sure that no parts are discarded with packaging material. A pressure regulator designed to operate with the broiler has been supplied and must be installed before the charbroiler is placed into service (Refer to GAS PRESSURE REGULATOR INSTALLATION in this manual).

LOCATION

The installation location must be kept free and clear of combustibles. Do not obstruct the flow of combustion and ventilation air. DO NOT install the charbroiler adjacent to open burners or fryers.

Sufficient air should be allowed to enter the room to compensate for the amount of air removed by any ventilating system and for combustion of the gas burners. Do not obstruct the air flow into and around the appliance. Do not obstruct the flow of flue gases through and above the broiler's top grate. Position the broiler in its final location. Check that there are sufficient clearances to service the broiler and to make the required gas supply connection(s). Provide 24" clearance at the front for cleaning, maintenance, service and proper operation.

This broiler is for use in non-combustible locations only.

Non-combustible Construction Minimum Clearances

BACK

Above grid level	3"
Below grid level	3"

RIGHT SIDE

Above grid level	0"
Below grid level	0"

LEFT SIDE

Above grid level	0"
Below grid level	0"

INSTALLATION CODES AND STANDARDS

The Charbroiler must be installed in accordance with:

In the United States of America:

1. State and local codes.
2. National Fuel Gas Code, ANSI-Z223.1/NFPA #54 (latest edition). This shall include but not be limited to: NFPA #54 Section 10.3.5.2 for Venting. Copies may be obtained from The American Gas Association Accredited Standards Committee Z223, @ 400 N. Capital St. NW, Washington, DC 20001 or the Secretary Standards Council, NFPA, 1 Batterymarch Park Quincy, MA 02169-7471

NOTE: In the Commonwealth of Massachusetts

All gas appliances vented through a ventilation hood or exhaust system equipped with a damper or with a power means of exhaust shall comply with 248 CMR.

3. NFPA Standard # 96 *Vapor Removal from Cooking Equipment*, latest edition, available from the National Fire Protection Association, Batterymarch Park, Quincy, MA 02269.

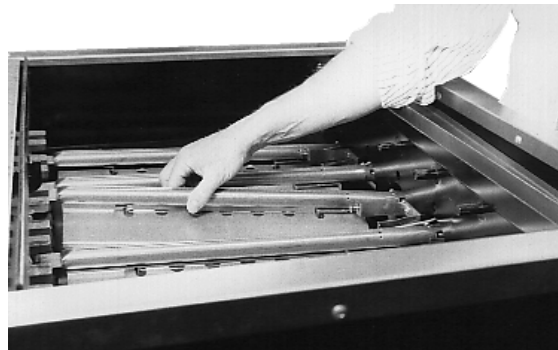
In Canada:

1. Local codes.
2. CAN/CSA-B149.1 Natural Gas Installation (latest edition)
3. CAN/CSA-B149.2 Propane Installation Code (latest edition), available from the Canadian Gas Association, 178 Rexdale Blvd., Etobicoke, Ontario, Canada M9W 1R3

BURNERS, RADIANTS, AND TOP GRATES

The top grates are shipped flat (top-side down) from the factory. For broiling, the top grates can be left in the flat position or reversed so they slope forward for grease run-off. Remove the cast iron grates and radiants. Inspect and remove the shipping restraints used during shipping to hold the burners. Reassemble the radiants and top grates. See Fig. 1.

Burners



Radiants



Top Grates

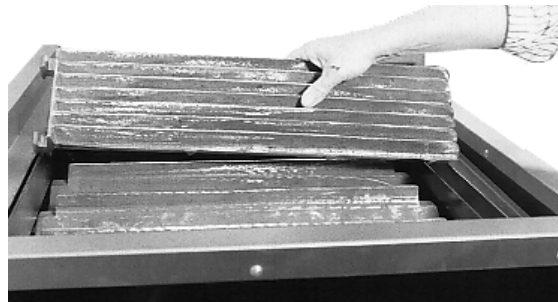
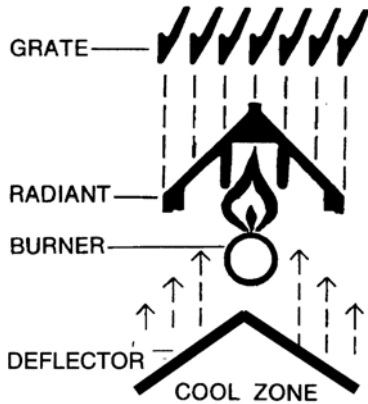


Fig. 1



COMPONENT PARTS

The charbroiler comes with several standard parts as illustrated. Each can be easily removed and installed easily by hand for cleaning and maintenance. Note that the Burner and Deflector are an assembly and are NOT designed to be disassembled.

LEVELING

It is important that the charbroiler is level front to back and left to right. Areas of uneven heat distribution will occur on an unlevelled unit. The charbroiler is equipped with adjustable legs. Turn the feet at the bottom of the legs to adjust to level. The unit should be rechecked for level anytime it has been moved.

VENTILATION HOOD

The broiler should be installed under a suitable ventilation hood. For safe operation and proper ventilation, keep the space between the charbroiler and vent hood free from any obstructions.

GAS CONNECTION

NOTICE All gas supply connections and any pipe joint compound must be resistant to the action of propane gases.

Purge the supply line to clean out any dust, dirt, or any foreign matter before connecting the line to the unit.

Codes require that a gas shut-off valve be installed in the gas line ahead of the charbroiler. The gas supply line must be at least the equivalent of 3/4" iron pipe.

60" and 72" models have a gas inlet at each end of the unit. The unit will arrive from the factory with a metal cap on one end and a dust cover on the other. You may move the metal cap to the other end and use which ever connection point is most convenient to the available supply outlet. Do not connect both of the available charbroiler gas inlets to the gas supply.

A pressure regulator is supplied and must be installed outside of the broiler when making the gas supply connection. Standard orifices are set for 5"WC (Water Column) for Natural Gas — 10"WC (Water Column) for Propane. Use the 1/8" pipe tap on the burner manifold for checking pressure. Make sure the gas piping is clean and free of obstructions, dirt, and piping compound.

An adequate gas supply is necessary. Undersized or low pressure lines will restrict the volume of gas required for satisfactory performance. A minimum supply pressure of 7" W.C. for natural gas and 11" W.C. for propane gas is recommended. With all units operating simultaneously, the manifold pressure on all units should not show any appreciable drop.

When testing the gas supply piping system, if test pressures exceed ½ psig (3.45 kPa), the charbroiler and its individual shutoff valve must be disconnected from the gas supply piping system. When test pressures are ½ psig (3.45 kPa) or less, the charbroiler must be isolated from the gas supply piping system by closing its individual manual shut-off valve during any pressure testing of the system.

⚠ WARNING Prior to lighting, check all joints in the gas supply line for leaks. Use soap and water solution. Do not use an open flame.

GAS PRESSURE REGULATOR INSTALLATION

This charbroiler is supplied with a gas pressure regulator preset at 5" Water Column (W.C.) for natural gas and 10" W.C. for propane gas. No further adjustment should be required. Install the regulator as close to the charbroiler on the gas supply line as possible. Make sure that the arrow on the underside of the regulator is oriented in the direction of gas flow to the charbroiler (Fig. 2) and the regulator is positioned with the vent plug and adjustment screw upright (Fig. 3).

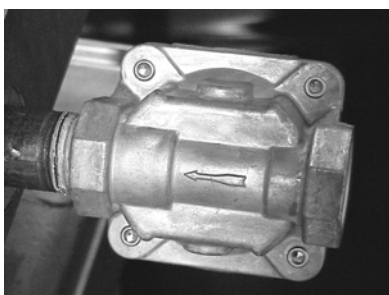


Fig. 2



Fig. 3

The minimum supply pressure (upstream of the regulator) should be 7-9" W.C. for natural gas and 11-12" W.C. for propane gas. At no time should the charbroiler be connected to supply pressure greater than ½ psig (3.45 kPa) or 14" W.C.

CASTER EQUIPPED CHARBROILERS

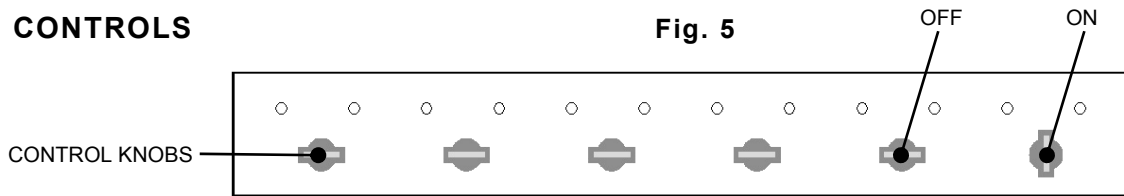
Charbroilers mounted on stands with casters must use a flexible connector (not supplied) that complies with the Standard for Connectors for Movable Gas Appliances, ANSI Z21.69 • CSA 6.16 and a quick-disconnect device that complies with the Standard for Quick-Disconnect Devices for use With Gas Fuel, ANSI-Z21.41 • CSA 6.9. In addition, adequate means must be provided to limit movement of the broiler without depending on the connector and the quick-disconnect device or its associated piping to limit broiler movement. Attach the restraining device at the rear of the charbroiler. If disconnection of the restraint is necessary, turn off the gas supply before disconnection. Reconnect the restraint prior to turning the gas supply on and return the charbroiler to its installation position.

Note: If the Charbroiler is installed on casters and is moved for any reason, it is recommended that it be re-leveled (see LEVELING).

OPERATION

⚠ WARNING The charbroiler and its parts are hot. Use care when operating, cleaning or servicing the charbroiler.

CONTROLS



Each burner is independently controlled by an infinite heat control valve. Once the pilots are lit, turning the control knob to the ON position will light each burner. The burners will be in the full ON position when the control knobs are turned all the way to the left. The burners will be in the full OFF position when the control knobs are turned all the way to the right. See Fig. 5.

There is one pilot for each burner. The charbroiler is equipped with standing, unmonitored pilots. Gas will flow from the pilots as soon as the main gas supply to the unit is turned on.

Standing pilots should be adjusted to provide a slight yellow tip on the flame. Air shutters on the main burners must be individually adjusted to provide a blue flame. All traces of yellow should be adjusted out of the burner flame.

The charbroiler is a free vented appliance. All products of combustion and the heat generated by the burners pass through the grates. When meat is placed on the grates, this blocks the venting and causes a temperature build-up.

LIGHTING THE GAS PILOT

1. Turn main gas shut-off valve and the individual burner gas valves OFF. Wait 5 minutes.
2. Remove the top grates and radiants. Turn the main gas shut-off valve ON. Light pilots using a lit taper. See Fig. 6. Adjust the pilot valve screw until the pilot flame has a slight yellow tip.
3. To light the burners, turn the individual burner valves ON.
4. If the burners fail to light, turn all valves and the main gas shut-off to the OFF position and contact an authorized service agency.

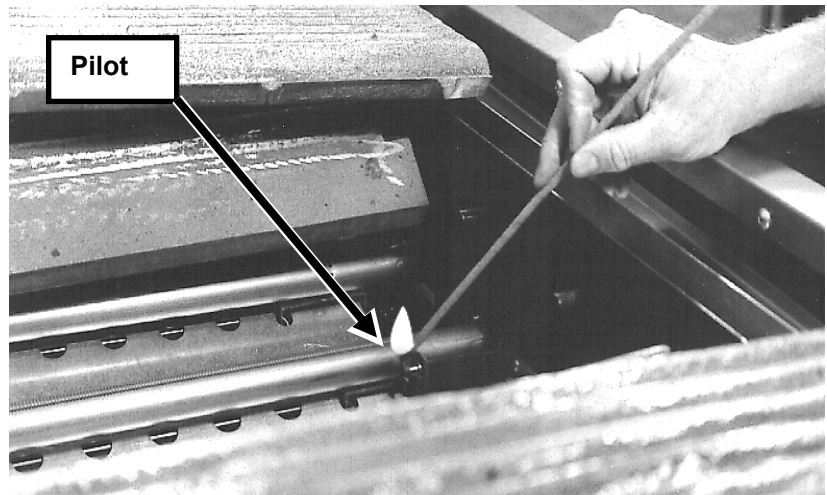


FIG. 6

PILOT ADJUSTMENT

Using a flathead screwdriver, turn the slotted hex-head pilot adjustment screw clockwise to decrease the flame, and counter clockwise to increase the flame. See Fig. 7.

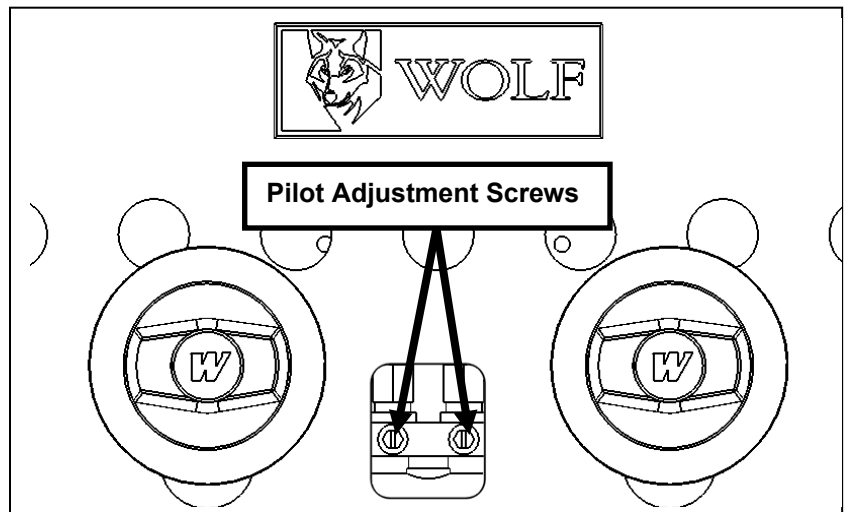


Fig. 7

TO COMPLETELY SHUTDOWN THE BURNERS AND PILOT LIGHTS

For complete shutdown: Turn the main gas shut-off valve OFF. (Make sure all individual burner valves are off before relighting.)

PREHEATING THE CHARBROILER

Allow the charbroiler to preheat for 30 minutes. Rub grates with cooking oil before using.

CLEANING

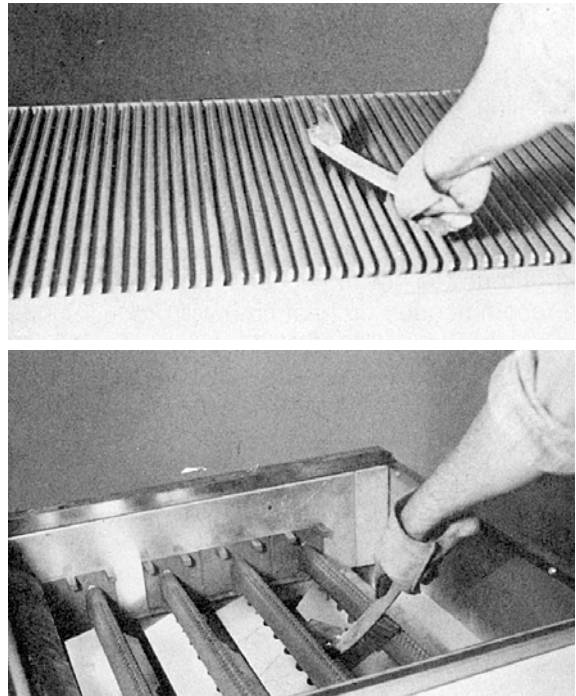
Scrape top grates during broiling with a wire brush to keep the grates clean. Do not allow debris to accumulate on the grates.

Top grates may be immersed in strong commercial cleaning compound overnight. In the morning, rinse with hot water to remove any residues of cleaning compound. Thoroughly dry and apply cooking oil to prevent rusting.

Stainless steel surfaces may be cleaned using damp cloth with mild detergent and water solution.

Crumb trays should be emptied regularly when cool.

Places where fat, grease, or food can accumulate must be cleaned regularly.



NOTICE Never cover surface of unit with pans or other objects in attempt to “burn off” or clean debris from unit. This will cause a buildup of heat that can potentially damage and warp components of the charbroiler.

MAINTENANCE

⚠ WARNING The charbroiler and its parts are hot. Use care when operating, cleaning or servicing the charbroiler.

VENT SYSTEM

At least twice a year the exhaust hood (venting system) should be examined and cleaned.

LUBRICATION

All valves, at the first sign of sticking, should be lubricated by a trained technician using high temperature grease.

SERVICE

Contact your local Service Agency for any repairs or adjustments needed on this equipment. For a complete listing of service and parts depots refer to www.vulcanequipment.com. When calling for service, the following information should be available from the appliance identification plate: Model Number and Serial Number.

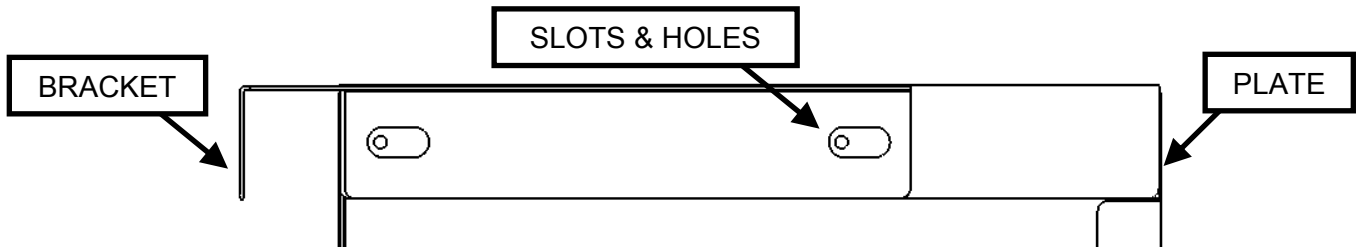
TROUBLESHOOTING

Uneven heating, sides burning	A. Burner valves improperly adjusted B. Fluctuating gas pressure C. Improperly adjusted burner
Too much top heat	A. Burner valves adjusted too high B. Faulty ventilation C. Overrated gas pressure D. Improperly adjusted burner
Uneven heat side to side	A. Burner valves improperly adjusted B. Appliance is not level side to side C. Improperly adjusted burner
Uneven heat front to back	A. Appliance is not level front to back B. Faulty ventilation C. Improperly adjusted burner
Pilot outage	A. Pilot flame is set too low. Adjust pilot to allow for gas flow. B. Obstruction in pilot orifice C. Low gas pressure.
Yellow burner flames	A. Open burner shutters until flames are blue
Lifting burner flames	A. Close burner shutters until flames touch burner
Fluctuating gas pressure	A. Check for clogged vent on regulator

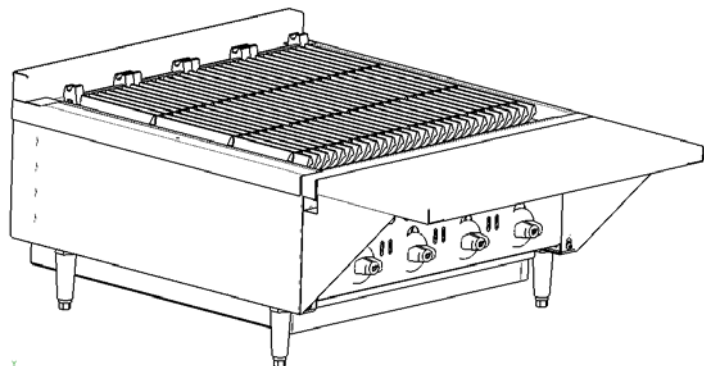
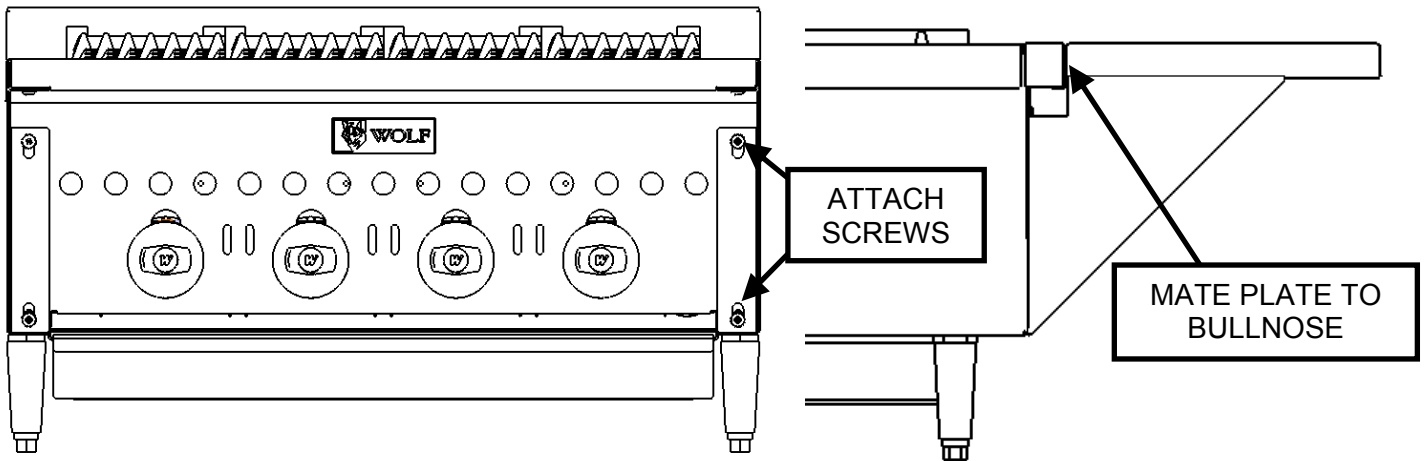
PLATE RAIL ACCESSORY INSTALLATION

⚠ WARNING The charbroiler and its parts are hot. Use care when operating, cleaning or servicing the charbroiler.

1. Brackets are reversible – align holes on bottom of plate with slots on the bracket as shown. Attach parts using the included self-tapping screws. Repeat for other side.

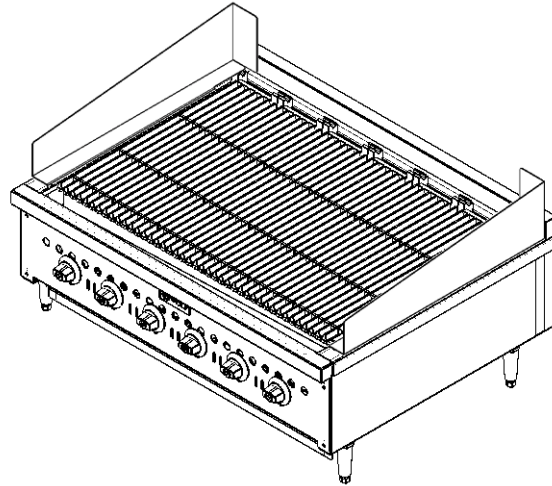


2. Mate the plate assembly to the charbroiler bullnose and align slots with screws in the front panel. Remove screws from front panel and reinsert through the mount brackets.

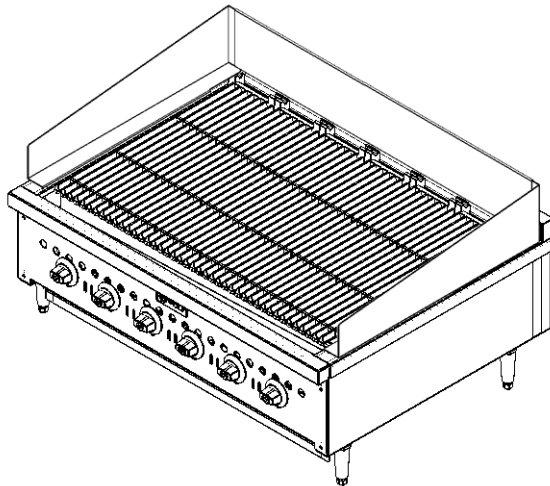


SPLASH ACCESSORY INSTALLATION

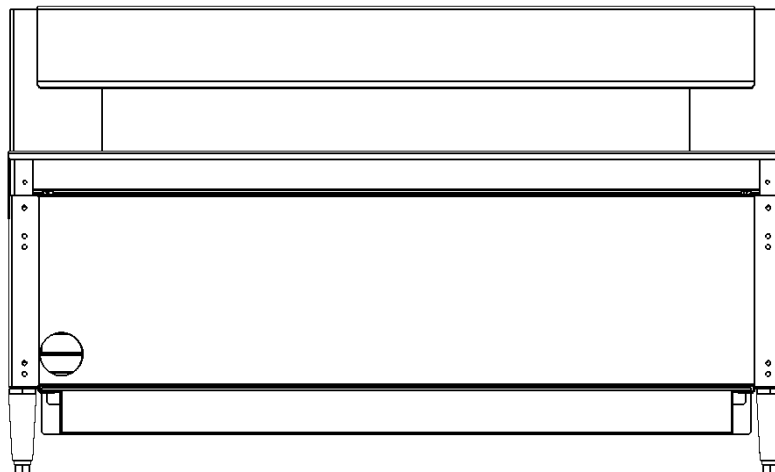
⚠ WARNING The charbroiler and its parts are hot. Use care when operating, cleaning or servicing the charbroiler.



1



2

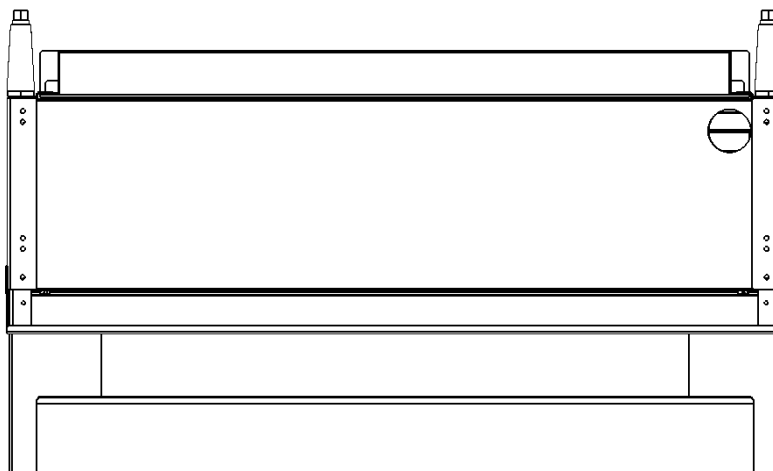


BACK VIEW

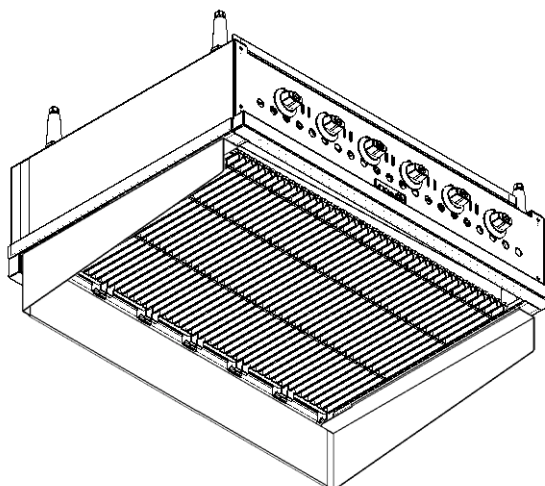
NOTES

REMARQUES

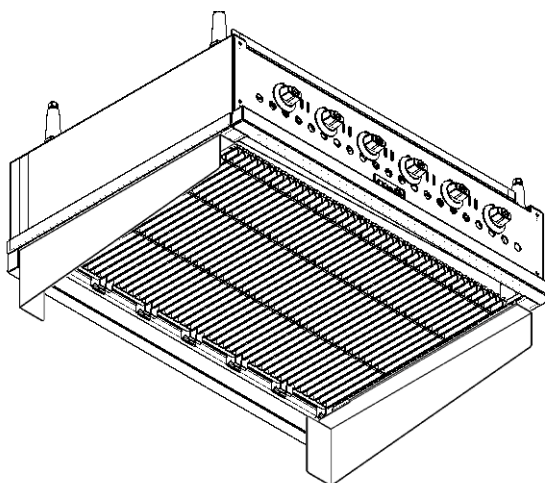
VUE ARRIÈRE



2



1



AVERTISSEMENT Le grill et ses pièces sont chauds. Faites attention lorsque vous employez, nettoyez ou entretenez ce grill.

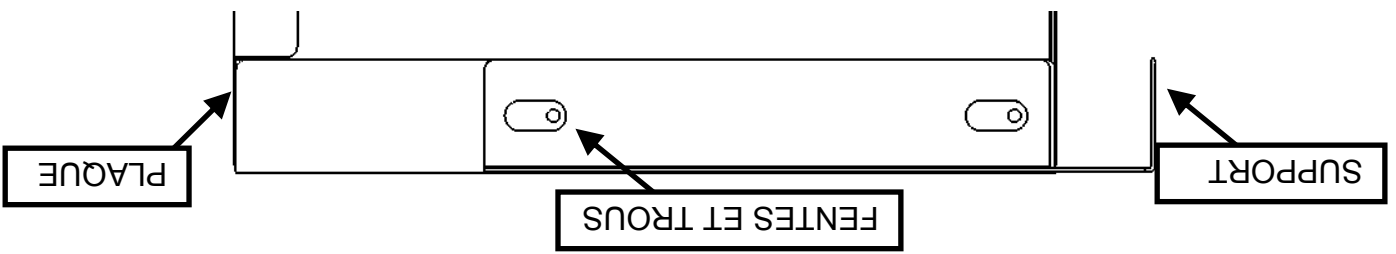
INSTALLATION DES ACCESSOIRES DE LA PAROI CONTRE LES ECLABOUSURES

INSTALLATION DES ACCESSOIRES DU RAIL DE LA PLAQUE

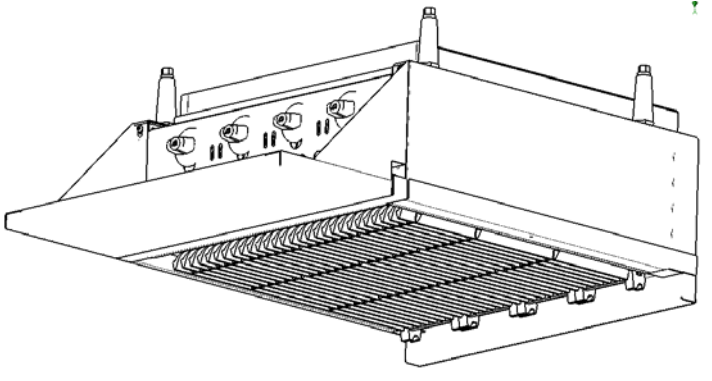
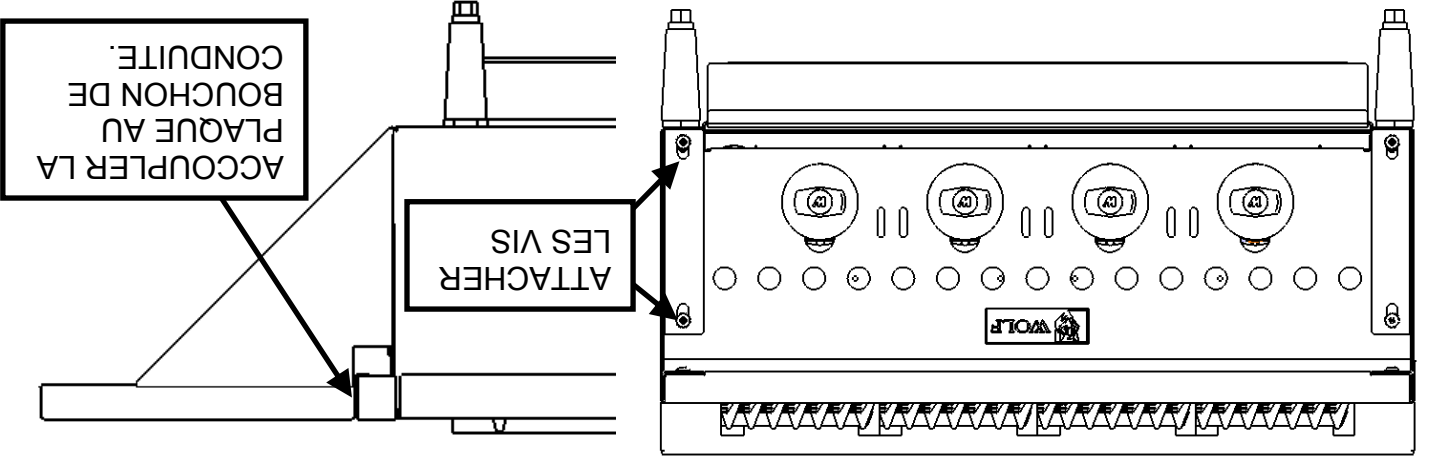
⚠ AVERTISSEMENT

Le grill et ses pièces sont chauds. Faites attention lorsque vous employez, nettoyez ou entreprenez ce grill.

1. Les supports sont réversibles – aligner les trous se trouvant au fond de la plaque avec les fentes se trouvant sur le support tel qu'illustré. Attacher les pièces en utilisant les vis autotaranduses incluses. Répéter pour l'autre côté.



2. Accoupler l'assemblage de la plaque au bouchon de conduite du grill et aligner les fentes avec les vis dans le panneau avant. Enlever les vis du panneau avant et les réinsérer à travers les supports de montage.



A. Les soupapes des brûleurs sont mal réglées B. La pression du gaz varie C. Le brûleur est mal réglé	Chaleur inégale, côtés brûlants
A. Les soupapes des brûleurs sont réglées trop haut B. La ventilation est défectueuse C. La pression du gaz est surestimée D. Le brûleur est mal réglé	Trop de chaleur sur le dessus
A. Les soupapes des brûleurs sont mal réglées B. L'appareil n'est pas au niveau d'un côté à l'autre C. Le brûleur est mal réglé	Chaleur inégale d'un côté à l'autre
A. L'appareil n'est pas au niveau de l'avant vers l'arrière B. La ventilation est défectueuse C. Le brûleur est mal réglé	Chaleur inégale de l'avant vers l'arrière
A. La veilleuse d'allumage est réglée trop bas. Réglez la veilleuse d'allumage pour permettre la circulation du gaz B. Obstruction de l'orifice de la veilleuse d'allumage C. La pression du gaz est basse	Panne de la veilleuse d'allumage
A. Ouvrez les obturateurs des brûleurs jusqu'à ce que les flammes redeviennent bleues A. Fermez les obturateurs des brûleurs jusqu'à ce que les flammes touchent le brûleur	Les flammes des brûleurs sont jaunes Les flammes des brûleurs sont trop élevée
A. Vérifiez si la prise d'air du régulateur est bouchée	La pression du gaz varie

DÉPANNAGE

Contactez votre service à la clientèle local pour toute réparation ou tout réglage nécessaire sur cet équipement. Pour une liste des bureaux des services et des pièces, consultez www.vulcanequipment.com. Lorsque vous appelez pour du service, les renseignements suivants devraient être disponibles sur la plaque d'identification de l'appareil : le numéro du modèle et le numéro de série.

SERVICE

Toutes les soupapes devraient être lubrifiées par un technicien qualifié avec une huile résistante aux températures élevées dès le premier signe de coincement.

LUBRIFICATION

La hotte à évacuation (système de ventilation) devrait être examinée et nettoyée au moins deux fois par année.

SYSTÈME DE VENTILATION

Le grill et ses pièces sont chauds. Faites attention lorsque vous employez, nettoyez ou entreenez ce grill.



ENTRETIEN

Ne jamais couvrir la surface de l'élément avec une casserole ou autres objets pour essayer de « brûler » ou de nettoyer les débris de l'élément. Cela provoquera une augmentation de la chaleur qui peut potentiellement endommager ou déformer les composants du grill.



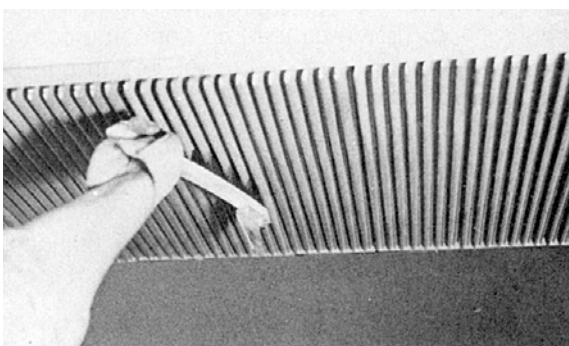
Grattez les grilles supérieures durant la cuisson au grill avec une brosse métallique afin de les garder propres. Empêchez les débris de s'accumuler sur les grilles.

Les grilles peuvent tremper dans un puissant détergent commercial toute la nuit. Au matin, rincez-les avec de l'eau chaude pour enlever tout résidu du détergent. Rincez à fond et mettez de l'huile de cuisson afin de prévenir la rouille.

Les surfaces en acier inoxydable peuvent être nettoyées à l'aide d'un linge humide et d'une solution d'eau et d'un savon doux.

Les ramasse-miettes doivent être vidés régulièrement lorsqu'ils sont froids.

Les endroits où la graisse ou la nourriture peuvent s'accumuler doivent être régulièrement nettoyés.



ALLUMAGE DE LA VEILLEUSE DU GAZ

1. Fermez le robinet d'arrêt principal ainsi que la soupape individuelle du brûleur de gaz. Attendez 5 minutes.
 2. Retirez les grilles supérieures et les radiants.
 3. Ouvrez le robinet d'arrêt principal du gaz. Allumez les veilleuses à l'aide d'une tige pour allumer les bougies. Voir Fig. 6. Réglez la vis de la soupape de la veilleuse jusqu'à ce que la flamme de la veilleuse ait une légère pointe jaune.
 4. Pour allumer les brûleurs, ouvrez les soupapes individuelles des brûleurs.
- Si les brûleurs ne s'allument pas, fermez toutes les soupapes ainsi que le robinet d'arrêt principal du gaz et contactez une agence de service autorisée.

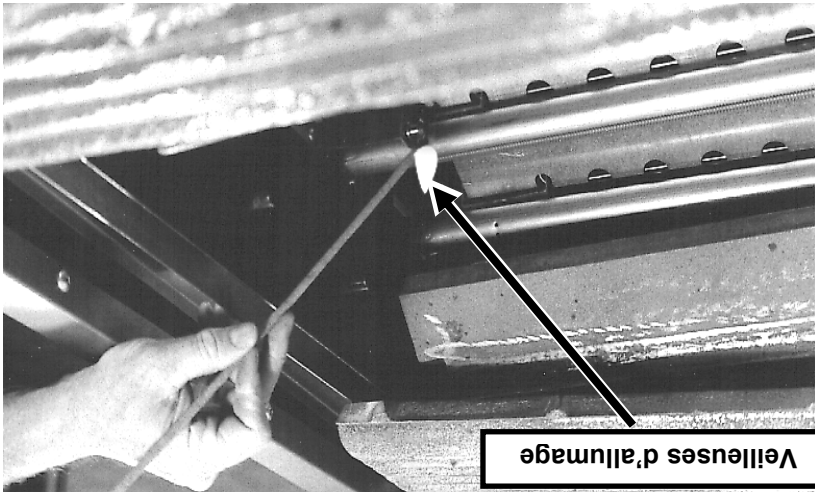


FIG. 6

RÉGLAGE DE LA VEILLEUSE D'ALLUMAGE

À l'aide d'un tournevis à tête plate, tournez la vis à tête hexagonale fendue de réglage de la veilleuse d'allumage dans le sens des aiguilles d'une montre pour diminuer la flamme et dans le sens contraire des aiguilles d'une montre pour augmenter la flamme.

Voir Fig. 7.

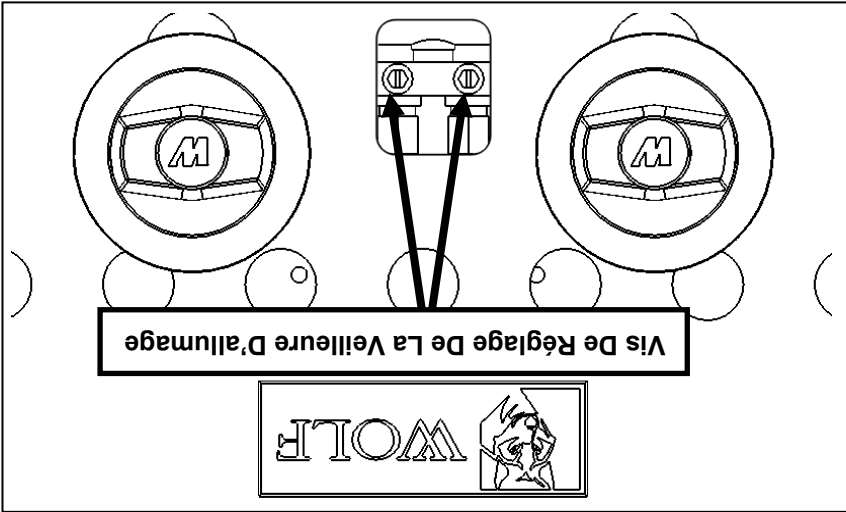


Fig. 7

POUR FERMER COMPLÈTEMENT LES FLAMMES DES BRÛLEURS ET DES VEILLEUSES

Pour fermer complètement : Fermez le robinet d'arrêt principal du gaz. (Assurez-vous que toutes les soupapes individuelles des brûleurs sont fermées avant de rallumer.)

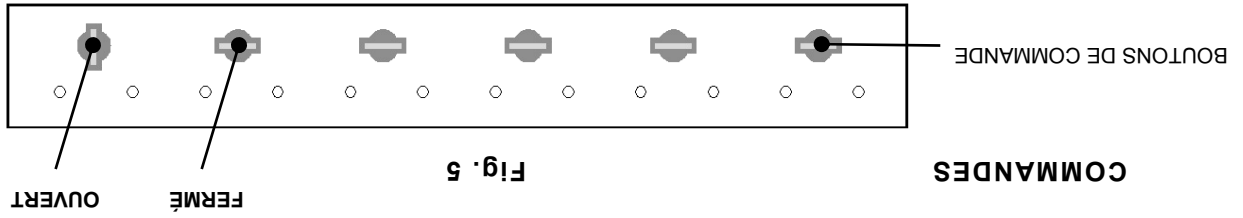
PRÉCHAUFFAGE DU GRIL

Préchauffez le grill pendant 30 minutes. Frottez les grilles avec de l'huile de cuisson avant de l'utiliser.

Le grill est un appareil sans évacuation. Tous les produits de la combustion et de la chaleur générés par les brûleurs passent à travers les grilles. Lorsque la viande est mise sur les grilles, cela bloque la ventilation et provoque une augmentation de la température.

Il y a une veilleuse d'allumage pour chaque brûleur. Le grill est muni de veilleuses d'allumage permanentes non contrôlées. Le gaz circulera à partir des veilleuses dès que l'alimentation principale en gaz de l'appareil est ouverte.

Chaque brûleur est contrôlé indépendamment par une soupape de réglage de la chaleur infinie. Une fois que les veilleuses sont allumées, tourner le bouton de commande à la position OUVERT allumera chaque brûleur. Les brûleurs seront complètement à la position OUVERT lorsque les boutons de commande seront tournés jusqu'au bout vers la gauche. Les brûleurs seront complètement à la position FERMÉ lorsque les boutons de commande seront tournés jusqu'au bout vers la droite. Voir Fig. 5.



AVERTISSEMENT Le grill et ses pièces sont chauds. Faites attention lorsque vous employez, nettoyez ou entretenez ce grill.

EMPLOI

Remarque : Si le grill est installé sur des roulettes et est déplacé pour une raison ou pour une autre, on recommande qu'il soit mis à niveau une autre fois (voir MISE À NIVEAU).

Les grills sur supports avec roulettes doivent employer un raccord flexible (non fourni) qui est conforme à la norme Connectors for Movable Gas Appliances, ANSI Z21.69 • CSA 6.16 et un dispositif de prise à démontage rapide qui est conforme à la norme Quick-Disconnect Devices for use With Gas Fuel, ANSI-Z21.41 • CSA 6.9. De plus, des mesures appropriées doivent être prises pour limiter le mouvement du grill sans dépendre du connecteur et du dispositif de prise à démontage rapide ou de leurs conduites associées. Attachez le dispositif de retenue à l'arrière du grill. Si le débranchement du dispositif est nécessaire, fermez l'alimentation en gaz avant le débranchement. Rebranchez le dispositif avant d'ouvrir l'alimentation en gaz et replacez le grill à l'endroit où il doit être installé.

GRILLS MUNIS DE ROULETTES

La pression d'alimentation minimum (en amont du régulateur) devrait être de 18 à 23 cm CE pour le gaz naturel et de 28 à 30 cm CE pour le gaz propane. Le grill ne devrait à aucun moment être connecté à une pression d'alimentation supérieure à 1/2 psi (3,45 kPa) ou 36 cm CE.

Fig. 2

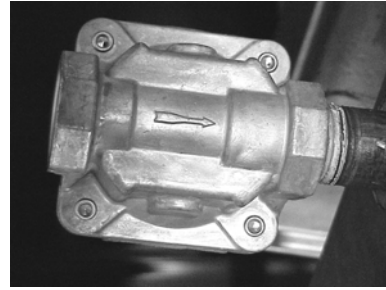
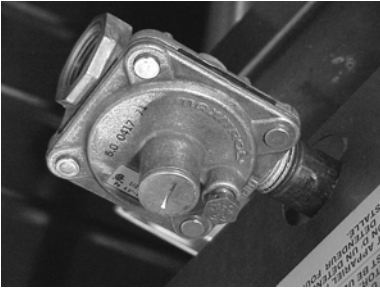


Fig. 3



Ce grill est offert avec un régulateur de pression du gaz pré-régulé à 13 cm de colonne d'eau (CE) pour le gaz naturel et 25 cm colonne d'eau (CE) pour le gaz propane. Aucun réglage supplémentaire ne devrait être nécessaire. Installez le régulateur aussi près que possible du grill sur la conduite d'alimentation en gaz. Assurez-vous que la flèche au-dessous du régulateur est orientée dans la direction de la circulation du gaz au grill (Fig. 2) et que le régulateur est placé avec le bouchon d'aération et la vis de réglage soient dirigés vers le haut droite (Fig. 3).

INSTALLATION DU RÉGULATEUR DE PRESSION DU GAZ

AVERTISSEMENT Avant l'allumage, vérifiez tous les joints dans la conduite d'alimentation en gaz pour les fuites. Utilisez une solution d'eau et savon. Ne pas utiliser une flamme nue.

Une alimentation adéquate en gaz est requise. Des conduites de dimension insuffisante ou à basse pression limiteront le volume de gaz nécessaire pour une performance satisfaisante. On recommande une pression d'alimentation minimum de 18 cm CE pour le gaz naturel et de 28 cm CE pour le gaz propane. Avec tous les éléments fonctionnant en même temps, la pression d'admission sur tous les éléments ne devrait pas démontrer une baisse notable. Lorsque vous évaluez la tuyauterie de l'alimentation en gaz, si les pressions d'essai excèdent 1/2 psi (3,45 kPa), le grill et son robinet d'arrêt individuel doivent être déconnectés de la tuyauterie de l'alimentation en gaz. Lorsque les pressions d'essai sont de 1/2 psi (3,45 kPa) ou moins, le grill doit être isolé de tuyauterie de l'alimentation en gaz en fermant son robinet d'arrêt individuel durant tout essai de la pression du système.

Un régulateur de pression est fourni et doit être installé à l'extérieur du grill lorsque vous effectuez la connexion d'alimentation en gaz. Les orifices en mince paroi sont établis à 13 cm CE (colonne d'eau) pour le gaz naturel — 25 cm CE (colonne d'eau) pour le propane. Utilisez le taraud de 0,3 cm sur la rampe de brûleurs pour vérifier la pression. Assurez-vous que les conduites de gaz soient propres et libres d'obstructions, de saleté et de toute pâte à tuyauterie.

Les modèles de 152,4 cm et de 183 cm sont équipés d'une arrivée de gaz à chaque extrémité de l'unité. L'unité arrivera de l'usine avec un capuchon métallique à l'une des extrémités et un capuchon antipoussière sur l'autre. Vous pouvez déplacer le capuchon métallique sur l'autre extrémité et utiliser le point de raccordement étant le plus pratique pour la sortie d'alimentation. Ne pas brancher les deux arrivées de gaz disponibles du grill à l'alimentation en gaz.

Les codes exigent que la soupape d'arrêt du gaz soit installée dans la conduite de gaz du grill. La conduite d'alimentation en gaz doit être au moins l'équivalent d'un tuyau en fer de 2 cm. Vidier la conduite d'alimentation pour la nettoyer de toute poussière, saleté ou tout autre corps étranger avant de la connecter à l'appareil.

Toutes les connexions et toute pâte à joints doivent résister à l'action du gaz propane.

AVIS

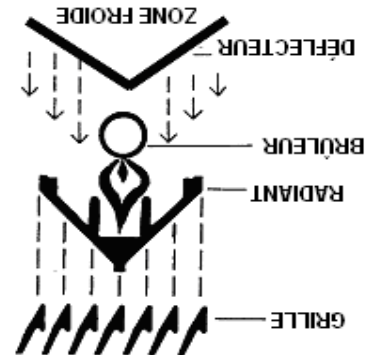
CONNEXION DU GAZ

Le grill devrait être installé sous une hotte de ventilation appropriée. Pour un emploi sécuritaire et une ventilation adéquate, laissez un espace entre le grill et la hotte à évacuation libre de toute obstruction.

HOTTE DE VENTILATION

Il est important que le grill soit mis à niveau de l'avant vers l'arrière et de la gauche vers la droite. Il se produira des zones où la distribution de la chaleur sera inégale dans un appareil qui n'est pas mis à niveau. Le grill est muni de pattes réglables. Tournez le pied au bout des pattes pour régler le niveau. Vous devriez vérifier le niveau de cet appareil à nouveau chaque fois qu'il est déplacé.

MISE À NIVEAU



COMPOSANTS
Le grill vient avec plusieurs pièces normalisées telles qu'illustrées. Chacune peut être facilement retirée et installée à la main pour le nettoyage et l'entretien. Notez que le brûleur et le déflecteur sont un assemblage et NE sont PAS conçus pour être démontés.

3. La norme NFPA n° 96 *Vapor Removal from Cooking Equipment*, dernière édition, disponible auprès de la National Fire Protection Association, Batterymarch Park, Quincy, MA 02269.
- Au Canada :

 1. Codes locaux.
 2. Code d'installation du gaz naturel CAN/CSA-B149.1 (dernière édition)
 3. Code d'installation du propane CAN/CSA-B149.2 (dernière édition), disponible auprès de l'Association Canadienne du Gaz, 178 boul. Rexdale, Etobicoke, Ontario, Canada M9W 1R3

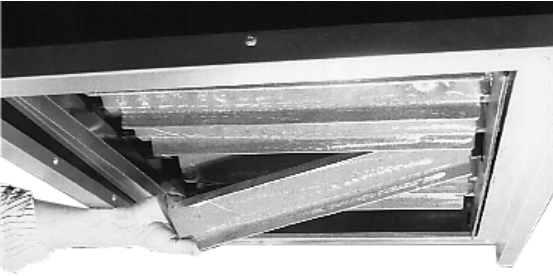
BRÛLEURS, RADIANTS ET GRILLES SUPÉRIEURES

Les grilles supérieures sont envoyées de l'usine à plat (dessus vers le bas). Pour la cuisson au grill, les grilles supérieures peuvent être laissées à plat ou inversées pour qu'elles penchent vers l'avant afin d'écouler le gras. Enlevez les grilles et les radiants en fonte. Examinez et enlevez les supports utilisés durant la livraison pour tenir les brûleurs. Remontez les radiants et les grilles supérieures. Voir Fig. 1.

Brûleurs



Radiants



Grilles supérieures

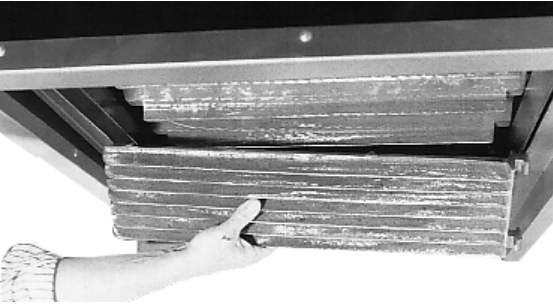


Fig. 1

EMPLACEMENT

Le lieu de l'installation doit être maintenu sans présence de combustibles. Ne pas obstruer la circulation de la combustion ainsi que l'air de ventilation. NE PAS installer le grill près de friteuses ou de brûleurs ouverts.

Suffisamment d'air devrait entrer dans la pièce afin de compenser la quantité d'air enlevé par tout système de ventilation et pour la combustion des brûleurs de gaz. Ne pas obstruer la circulation de l'air à l'intérieur et autour de l'appareil. Ne pas obstruer la circulation des gaz de combustion et le dessus de la grille supérieure du grill. Placez le grill dans son emplacement définitif. Assurez-vous qu'il y a suffisamment d'espace libre pour entretenir le grill et effectuer la (les) connexion(s) nécessaire(s) d'alimentation en gaz. Prévoyez un espace libre de 61 cm à l'avant pour le nettoyage, l'entretien et l'emploi adéquat.

Ce grill est uniquement conçu pour les lieux sans combustibles.

Non-combustibles des dégagements minimum de construction

ARRIÈRE
Grille-dessus du niveau 8 cm
Intérieur au grille 8 cm

CÔTÉ DROIT
Grille-dessus niveau 0 cm
Intérieur au grille 0 cm

CÔTÉ GAUCHE
Grille-dessus du niveau 0 cm
Intérieur au grille 0 cm

CODES ET NORMES D'INSTALLATION

Le grill doit être installé conformément à :

Aux Etats-Unis d'Amérique :

1. Codes locaux et d'état.

2. National Fuel Gas Code, ANSI-Z223.1/NFPA N°54 (dernière édition). Cela doit comprendre sans être limité à : NFPA N°54 Section 10.3.5.2 pour la ventilation. Vous pouvez obtenir des copies auprès de l'American Gas Association Accredited Standards Committee Z223, à 400 N. Capital St. NW, Washington, DC 20001 ou le Secretary Standards Council, NFPA, 1 Batterymarch Park Quincy, MA 02169-7471

REMARQUE : Dans l'État du Massachusetts

Tous les appareils d'utilisation du gaz aérés grâce à une hotte de ventilation ou un système d'échappement muni d'une clef de réglage ou avec une moyenne potentielle d'échappement qui doit être conforme à 248 CMR.

INSTALLATION, EMPLOI ET ENTRETIEN DES GRILS AU GAZ

GÉNÉRAL

Les grils au gaz de comptoir sont conçus à des fins commerciales seulement et offrent une chaleur au gaz rapide, efficace. Chaque brûleur est contrôlé par une soupape à gaz réglable. Les radiants moulés sont situés directement sous chaque brûleur afin de maintenir une température uniforme. Les radiants s'enlèvent facilement pour le nettoyage lorsqu'ils sont refroidis.

Les grilles supérieures en fonte résistante sont réversibles pour permettre à la surface de la grille de cuisson d'être mise à plat ou inclinée en totalité ou en partie. Les rainures, moulées dans les grilles supérieures, permettent l'écoulement du gras et réduisent l'évasement lorsqu'elles sont inclinées vers l'avant. Un tiroir à graisse est fourni afin de recueillir l'écoulement du gras; il s'ouvre par le devant pour vérifier ou vider.

Modèle	Nombre de brûleurs	Débit calorifique BTU/h
VCCB25, SCB25	4	58,000
VCCB36, SCB36	6	87,000
VCCB47, SCB47	8	116,000
VCCB60, SCB60	11	159,500
VCCB72, SCB72	13	188,500

INSTALLATION

DÉBALLAGE

Immédiatement après avoir déballé, vérifiez s'il y a des dommages dus à la livraison. Si vous découvrez que le gril est endommagé, conservez l'emballage et contactez le transporteur dans les 15 jours suivant la livraison.

Déballer soigneusement votre gril et assurez-vous qu'aucune pièce n'a été jetée avec l'emballage. Un régulateur de pression conçu pour fonctionner avec le brûleur a été fourni et doit être installé avant que le gril soit mis en service (Consultez l'INSTALLATION DU RÉGULATEUR DE PRESSION DU GAZ dans ce manuel).

EN CAS DE PANNE DE COURANT, NE PAS TENTER
DE FAIRE FONCTIONNER CET APPAREIL.

▲ AVERTISSEMENT
Une installation, un ajustement, une modification, un service ou un entretien inapproprié peut causer du dommage matériel, une blessure ou la mort. Lire minutieusement les instructions d'installation, d'emploi et d'entretien avant d'installer ou de se servir cet équipement.

POUR VOTRE SÉCURITÉ
NE PAS ENTREPOSER OU UTILISER DE L'ESSENCE OU AUTRES VAPEURS OU LIQUIDES INFLAMMABLES À PROXIMITÉ DE CET APPAREIL OU TOUT AUTRE APPAREIL.

IMPORTANT
AU CAS OÙ UNE ODEUR DE GAZ SERAIT DÉTECTÉE, FERMEZ LES UNITÉS DU ROBINET D'ARRÊT PRINCIPAL ET CONTACTEZ VOTRE COMPAGNIE DE GAZ OU VOTRE FOURNISSEUR DE GAZ LOCAL AFIN D'OBTENIR DU SERVICE.

CE MANUEL A ÉTÉ CONÇU POUR LE PERSONNEL APTE À INSTALLER UN ÉQUIPEMENT AU GAZ, QUI DOIT EFFECTUER LA MISE EN MARCHÉ ET LES RÉGLAGES INITIAUX DE L'ÉQUIPEMENT DONT IL S'AGIT DANS CE MANUEL. PLACEZ DANS UN ENDROIT IMPORTANT LES INSTRUCTIONS QUI DOIVENT ÊTRE SUIVIES AU CAS OÙ UNE ODEUR DE GAZ SERAIT DÉTECTÉE. VOUS POUVEZ DEMANDER CES RENSEIGNEMENTS AU FOURNISSEUR DE GAZ LOCAL.

IMPORTANT POUR VOTRE SÉCURITÉ

MANUEL D'INSTALLATION ET D'EMPLOI POUR GRILS AU GAZ

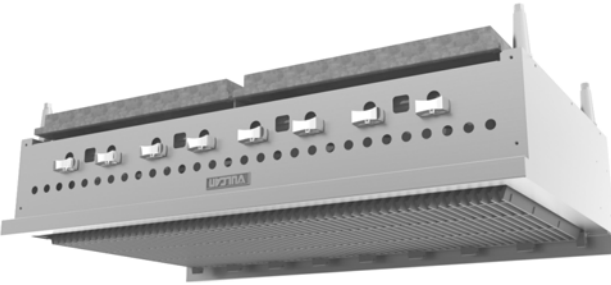
ITW Food Equipment Group



VULCAN

MODELES

VCCB25
VCCB36
VCCB47
VCCB60
VCCB72



VCCB47



SCB47

SCB25
SCB36
SCB47
SCB60
SCB72

GARDER CE MANUEL POUR UNE UTILISATION FUTURE
FORMULAIRE F-36952 (3-12)

© ITW Food Equipment Group, LLC
3600 North Point Blvd.
Baltimore, MD 21222