

HEATED HOLDING**VULCAN****RS-10
ROOM SERVICE DELIVERY CART
FOR 15" X 20" TRAYS OR 14" X 18" TRAYS**

Model RS-10
shown with optional full perimeter bumper

- RS-10**
- RSP-10** Pass Through Model

STANDARD FEATURES

- One piece removable tray slides.
- Flush recessed door pull.
- Heavy duty 5" casters.
- Magnetic door closure.
- Magnetic door stay open device.
- Complete stainless steel construction.
- Super duty reinforced base.
- 270 degree door swing.
- Non-marking corner bumpers.
- 12 gauge hinges.
- (3) Sided top rail.
- Holds 15" x 20" trays and 14" x 18" trays.
- One year limited parts and labor warranty. After the first year, lifetime parts warranty on the heating elements.

SPECIFICATIONS

Vulcan Hart Model RS-10 room service cart with capacity for ten 15" x 20" trays and 14" x 18" trays. Stainless steel construction throughout including top, sides, bottom, and doors with double pan base and reinforced internal channels. Non-marking corner bumpers protect both the cart and facility. Double pan door design is fully insulated providing 270 degree swing on 12 gauge hinges with recessed door pulls. Magnetic door closure and magnetic device to hold door open. 5" heavy duty casters, two swivel and two rigid ensure easy maneuverability. Universal one piece racking with five levels and 6" spacing between levels. Two 15" x 20" trays or 14" x 18" trays per level. Top rails for easy handling and transporting items on top of unit. One year limited parts and labor warranty. After the first year, lifetime parts warranty on the heating elements.

Exterior Dimensions:

28" W x 34½" D x 42¼" H

OPTIONS

- Full perimeter bumper

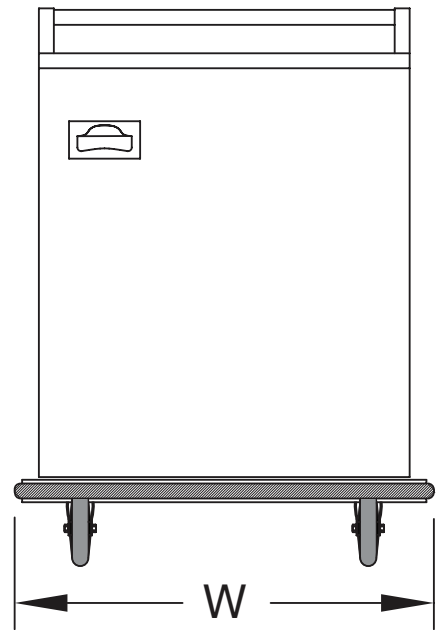
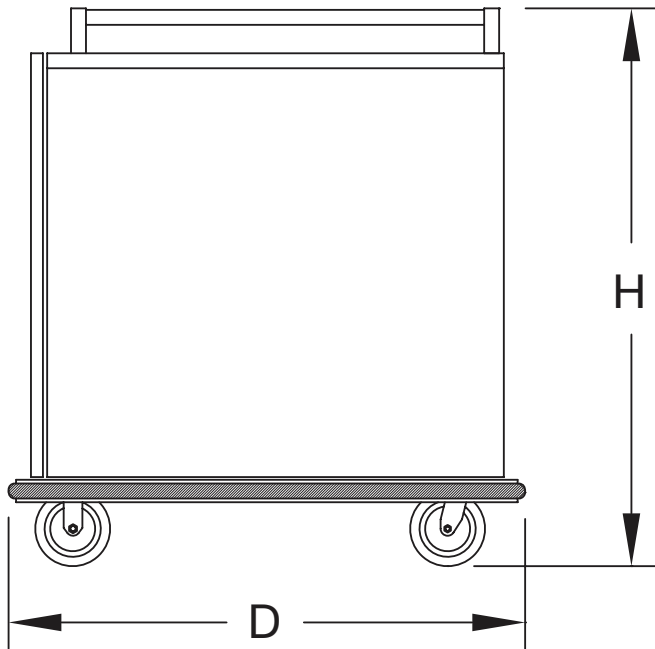
VULCAN

a division of ITW Food Equipment Group LLC

P.O. Box 696 ■ Louisville, KY 40201 ■ Toll-free: 1-800-814-2028 ■ Local: 502-778-2791 ■ Quote & Order Fax: 1-800-444-0602



RS
ROOM SERVICE DELIVERY CART
 FOR 15" X 20" TRAYS OR 14" X 18" TRAYS



MODEL	CAPACITY	WIDTH	DEPTH	HEIGHT	WEIGHT	ELECTRICAL	NEMA	CASTERS
RS-10	(10) 15" x 20" or 14" x 18"	28"	34.5"	42.25"	120 lbs.	N/A	N/A	5"
RSP-10	(10) 15" x 20" or 14" x 18"	28"	34.5"	42.25"	130 lbs.	N/A	N/A	5"



a division of ITW Food Equipment Group LLC

P.O. Box 696 ■ Louisville, KY 40201 ■ Toll-free: 1-800-814-2028 ■ Local: 502-778-2791 ■ Quote & Order Fax: 1-800-444-0602

NOTE: In line with its policy to continually improve its products, Vulcan reserves the right to change materials and specifications without notice.