

**VULCAN****RRE-E SERIES  
HEAVY DUTY ELECTRIC GRIDDLE**

Model RRE36E

**SPECIFICATIONS**

Heavy duty electric griddle, Vulcan Model No. \_\_\_\_\_. Stainless steel front and sides. 11" cooking height on 4" adjustable legs. 3/4" composite griddle plate with stainless steel cooking surface. Tubular incoloy elements and one snap action thermostat for every 12" of griddle width. Thermostats adjust from 200° to 450° F. Stainless steel 4" back and tapered side splashes. 3 1/2" wide front grease trough empties into large capacity grease drawer. Available in 208V, 240V 50/60 Hz, 1 or 3 phase. 480V 50/60 Hz 3 phase.

NSF Certified.

**SPECIFY VOLTAGE WHEN ORDERING.**

- RRE24E** 24" w x 24" d griddle plate
- RRE36E** 36" w x 24" d griddle plate
- RRE48E** 48" w x 24" d griddle plate

**STANDARD FEATURES**

- Stainless steel front, sides, 4" backsplash and 4" tapered side splashes.
- 3/4" Rapid Recovery™ composite griddle plate with stainless steel cooking surface.
- 11" cooking height on 4" adjustable legs.
- Two solid sheathed tubular incoloy heating elements, one snap action thermostat and cycling light per each 12" griddle width. Thermostats adjust from 200° to 450° F.
- Heavy duty chromed thermostat knob guards
- 4" adjustable legs.
- 3 1/2" wide front grease trough empties into a large capacity grease drawer.
- Available in 208V or 240V, 50/60 Hz, 1 or 3 phase power supply. 480V, 50/60 Hz 3 phase power supply.
- One year limited parts and labor warranty.

**OPTIONS**

- Stainless steel stand with marine edges and casters.
- Cutting board, condiment rail, plate rail and banking strip accessories.

**VULCAN**

a division of ITW Food Equipment Group LLC

P.O. Box 696 ■ Louisville, KY 40201 ■ Toll-free: 1-800-814-2028 ■ Local: 502-778-2791 ■ Quote & Order Fax: 1-800-444-0602

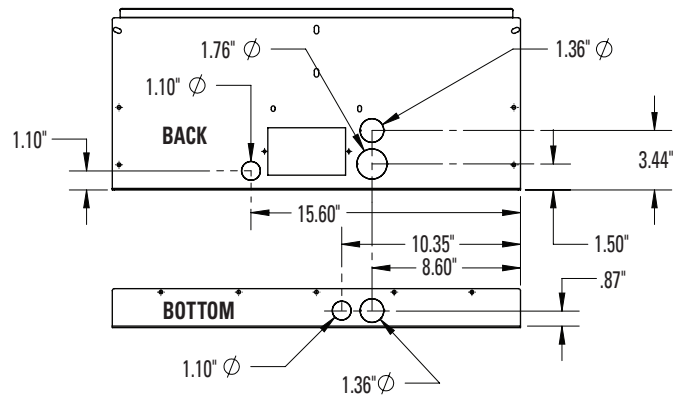


**RRE-E SERIES  
HEAVY DUTY ELECTRIC GRIDDLE**

**ELECTRICAL CHARACTERISTICS**

STANDARD VOLTAGES – 208 VOLTS OR 240 VOLTS 50/60 Hz. – SINGLE OR THREE PHASE 480 VOLTS 50/60 Hz. – THREE PHASE ONLY																
MODEL NO.	TOTAL CONN. KW	TOTAL KW PER CONN	3 PHASE LOADING KW PER PHASE PER CONN.*			NOMINAL AMPS PER LINE WIRE CONN.*										
						3 PHASE									1 PHASE	
						208 VOLT			240 VOLT			480 VOLT			208	240
						X-Y	Y-Z	X-Z	X	Y	Z	X	Y	Z	X	Y
RRE24E	10.8	10.8	5.4	5.4	0.0	22.5	45.0	22.5	19.5	39.0	19.5	9.7	19.5	9.7	51.9	45.0
RRE36E	16.2	16.2	5.4	5.4	5.4	45.0	45.0	45.0	39.0	39.0	39.0	19.5	19.5	19.5	77.9	67.5
RRE48E	21.6	21.6	10.8	5.4	5.4	67.4	67.4	45.0	58.5	58.5	39.0	29.2	29.2	19.5	103.8	90.0

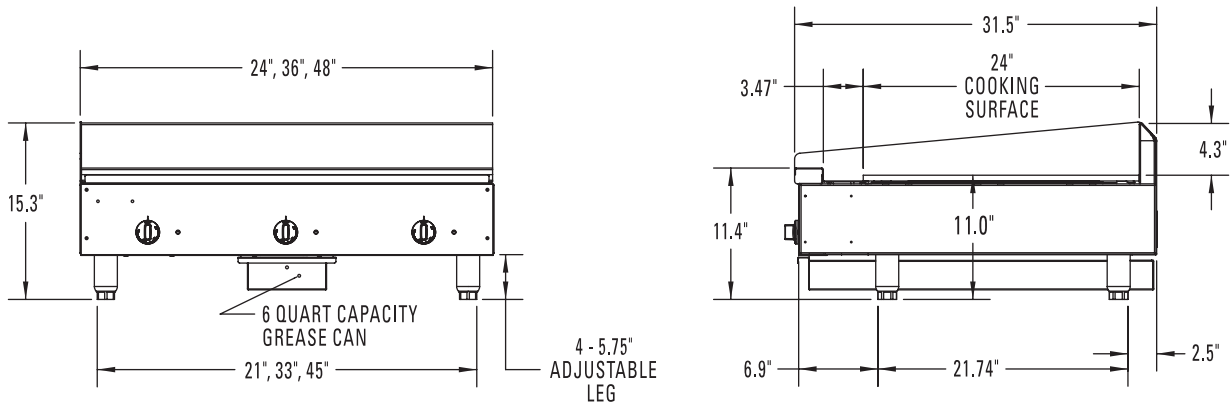
**KNOCK LOCATIONS ON BACK PANEL VIEWING FROM FRONT**



**ALL MODELS – KNOCKOUTS AT RIGHT-REAR CORNER**

**INSTALLATION CLEARANCES:**

Sides and rear must be 1" from nearest combustible construction and 0" from non-combustible construction. Bottom must be 4" from combustible or non-combustible construction. This appliance is manufactured for commercial installation only and is not intended for home use.



MODEL NO.	OVERALL DIMENSIONS			COOKING SURFACE DEPTH	GREASE DRAWER CAPACITY (Gals.)	APPROX. SHIP WT.
	WIDTH	DEPTH	HEIGHT*			
RRE24E	24" (610)	31.5" (800)	15.3" (389)	24" (610)	1.5	202 lbs / 92 kg
RRE36E	36" (914)				1.5	268 lbs / 122 kg
RRE48E	48" (1219)				1.5	344 lbs / 156 kg

(Dimensions in parenthesis are in millimeters)



a division of ITW Food Equipment Group LLC

P.O. Box 696 ■ Louisville, KY 40201 ■ Toll-free: 1-800-814-2028 ■ Local: 502-778-2791 ■ Quote & Order Fax: 1-800-444-0602

**NOTE:** In line with its policy to continually improve its products, Vulcan reserves the right to change materials and specifications without notice.