

S T E A M

VULCAN**K20ETT
ELECTRIC TILTING KETTLE**

Model K20ETT

**SPECIFICATIONS**

20 gallon capacity, $\frac{2}{3}$ jacketed self-contained electric tilting kettle, Vulcan-Hart Model No. K20ETT. Ellipsoidal bottom kettle liner formed and fully welded type 316 and type 304 stainless steel exterior with $\frac{1}{4}$ x $\frac{5}{8}$ inch bar rim with butterfly shaped pouring lip and embossed gallon/liter markings, designed to operate at a maximum of 50 psi (3.4 kg/cm²). Jacket contains water, rust inhibitor and antifreeze mixed to protect to 30° below zero. Removable electric elements are field serviceable. Stainless steel tilt handle with insulated pull knob located on the right. Stainless steel “water proof” control housing located on the right. Controls include a power switch, power “on” light, solid state temperature control, vacuum/pressure gauge, pressure relief valve, low water light and low water shut-off. Stainless steel adjustable legs extend 6" below base. Shipped for 208/60-50/3 electrical service. Can be field converted to 208/60-50/1 and 240/60-50/3 and 240/60-50/1.

Exterior Dimensions:

35 $\frac{3}{4}$ "w x 25 $\frac{3}{4}$ "d x 53 $\frac{1}{2}$ "h.

UL listed. UL Classified for sanitation in accordance with ANSI/NSF Standard #4. Meets ASME code.

K20ETT Electric Tilting Kettle

STANDARD FEATURES

- 20 gallon capacity, $\frac{2}{3}$ jacketed self-contained electric tilting steam kettle.
- Ellipsoidal bottom kettle liner formed and fully welded type 316 and type 304 stainless steel exterior with $\frac{1}{4}$ x $\frac{5}{8}$ inch bar rim with butterfly shaped pouring lip and embossed gallon/liter markings, designed to operate at a maximum of 50 psi (3.4 kg/cm²).
- Jacket contains water, rust inhibitor and antifreeze mixed to protect to 30° below zero.
- Removable electric elements are field serviceable.
- Stainless steel tilt handle with insulated pull knob located on the right.
- Stainless steel “water proof” control housing located on the right. Controls include a power switch, power “on” light, solid state temperature control, vacuum/pressure gauge, pressure relief valve, low water light and low water shut-off.
- Faucet bracket.
- Stainless steel adjustable legs extend 6" below base.
- Shipped for 208/60-50/3 electrical service. Can be field converted to 208/60-50/1 and 240/60-50/3 and 240/60-50/1.
- One year limited parts and labor warranty.

OPTIONS

- Correction facility package.
 - a. Security type tamper resistant fasteners with tack welds.
- 480 volt, 60 Hz, 3 phase power supply.
- Second year extended limited parts and labor warranty.

ACCESSORIES (Packaged & Sold Separately)

- One piece lift-off stainless steel cover.
- Stainless steel basket assembly.
- Tilting kettle strainer.
- (12") (18" double jointed) single pantry faucet.
- (12") (18" double jointed) double pantry faucet.
- Double pantry washdown hose with 16" add-on faucet with backflow preventer.
- Double pantry washdown hose with backflow preventer.
- Double pantry pot filler and backflow preventer.

VULCAN

a division of ITW Food Equipment Group LLC

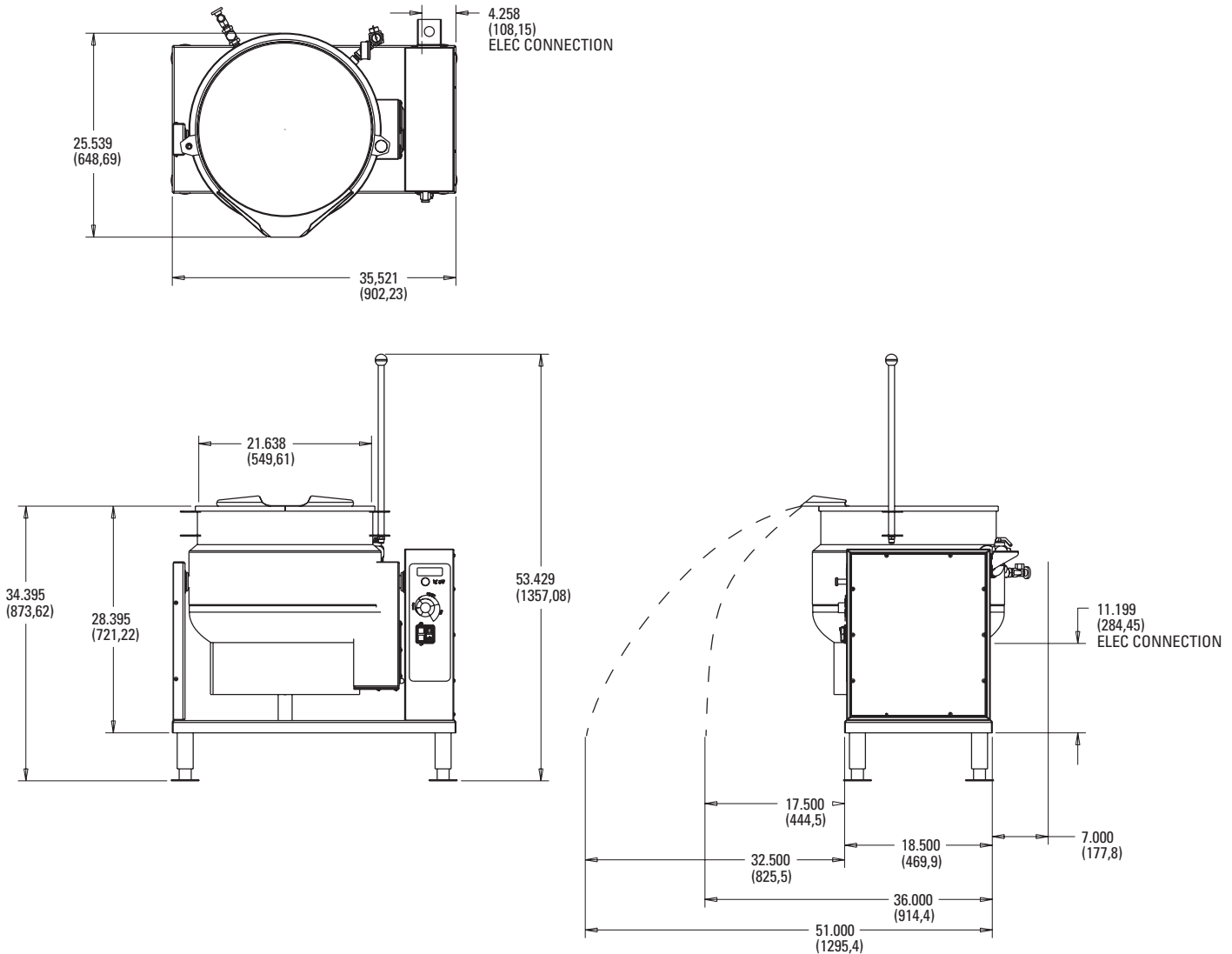
P.O. Box 696 ■ Louisville, KY 40201 ■ Toll-free: 1-800-814-2028 ■ Local: 502-778-2791 ■ Quote & Order Fax: 1-800-444-0602



K20ETT ELECTRIC TILTING KETTLE

NOTE:

- Dimensions which locate the connections have a tolerance of + or -3" (+ or -75 mm).
- Installation of backflow preventers, vacuum breakers and other specific code requirements is the responsibility of the owner and installer. It is the responsibility of the owner and installer to comply with local codes.
- Plastic drains are not recommended due to limited temperatures of the plastic.
- This appliance is manufactured for commercial installation only and is not intended for home use.



ELECTRICAL CHARACTERISTICS

MODEL	PHASE	208V		220V		240V		380V		415V		480V	
		KW	AMP	KW	AMP	KW	AMP	KW	AMP	KW	AMP	KW	AMP
K20ETT	1	12	57.6	13.5	61.2	16	66.7	—	—	—	—	—	—
	3	12	33.4	13.5	35.4	16	38.6	12	18.3	12	16.7	12	14.5



a division of ITW Food Equipment Group LLC

P.O. Box 696 ■ Louisville, KY 40201 ■ Toll-free: 1-800-814-2028 ■ Local: 502-778-2791 ■ Quote & Order Fax: 1-800-444-0602

NOTE: In line with its policy to continually improve its products, Vulcan reserves the right to change materials and specifications without notice.