



Project:

Item Number:

Quantity:

**ELECTRIC MEAT GRINDERS**



40743 Meat Grinder No. 12

**DESCRIPTION**

Vollrath's meat grinders are noted for their exceptional reliability and attractive, compact design. The grinder body, head and tray are constructed of stainless steel.

**MODELS**

40743 MIN0012 Meat Grinder No. 12

40744 MIN0022 Meat Grinder No. 22

**FEATURES**

- Energy efficient motor and precision gear drive
- Excellent fit and finish with no sharp corners or seams
- Forward and reverse switch
- Reliable under the most demanding conditions
- Attractive, compact design suitable for any open kitchen or supermarket
- Shipped with 1/8" (32 mm) and 5/16" (79 mm) grinder plates
- Perfect for butchers, supermarkets, Asian restaurants, delis, and pizza shops
- Sausage stuffer and feed stick accessories included
- Convenient top-mounted carrying handle
- Grinding head, pan and attachments are dishwasher safe
- No. 12 unit features 1 HP motor to grind 264 lb (120 kg) of meat per hour
- No. 22 unit features 1.5 HP motor to grind 528 lb (240 kg) of meat per hour
- 6 ft. (1.8 m) cord with plug

**WARRANTY:** All models shown come with Vollrath's standard warranty against defects in materials and workmanship. For full warranty details, please refer to the Vollrath Equipment and Smallwares Catalog.

**Agency Listings**



Due to continued product improvement, please consult [www.vollrathco.com](http://www.vollrathco.com) for current product specifications.

Approvals	Date



Setting the Standard™

[www.vollrathco.com](http://www.vollrathco.com)

The Vollrath Company, L.L.C.  
1236 North 18th Street  
Sheboygan, WI 53081-3201 U.S.A.  
Customer Service: 800.628.0830  
Canada Customer Service: 800.695.8560  
Main Fax: 800.752.5620 or 920.459.6573

Technical Services: 800.628.0832  
Technical Services Fax: 920.459.5462

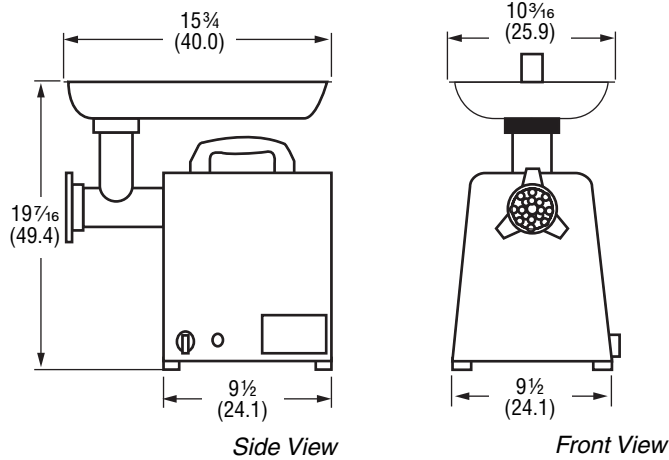
# ELECTRIC MEAT GRINDERS

**MODELS** 40743 MIN0012 Meat Grinder No. 12  
 40744 MIN0022 Meat Grinder No. 22

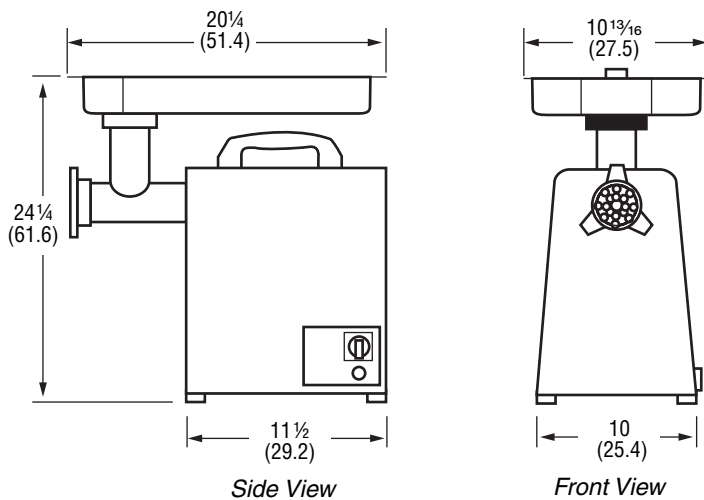
## DIMENSIONS

Dimensions shown in inches (cm).

### 40743



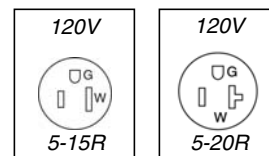
### 40744



## SPECIFICATIONS

Item	Output	HP	Voltage	Amps	Plug
40743	264 (lbs/hr)	1	110	8	5-15P
40744	528 (lbs/hr)	1 1/2	110	16	5-20P

### Receptacles



www.vollrathco.com

The Vollrath Company, L.L.C.  
 1236 North 18th Street  
 Sheboygan, WI 53081-3201 U.S.A.  
 Customer Service: 800.628.0830  
 Canada Customer Service: 800.695.8560  
 Main Fax: 800.752.5620 or 920.459.6573

Technical Services: 800.628.0832  
 Technical Services Fax: 920.459.5462