



Job _____ Item No. _____

Star® QCS2 Series Conveyor Toasters

Analog Controls QCS2-500 QCS2-600H QCS2-800 QCS2-1200B

Electronic Controls QCSe2-500 QCSe2-600H QCSe2-800



QCS2-800

DESCRIPTION

Star's QCS2 series toasters can generate up to 1,200 slices per hour in only 14-1/2" of counter space (model QCS2-1200B). Analog & electronic control options. Choose from our high volume QCS2-800 in 208 or 240 volts and QCS2-500 in 120 volts. The QCS2-600H has a 3" product opening. Star's forced convection system keeps the toaster cool-to-the-touch and extends the life of critical components. Stainless steel construction for long lasting durability. Heavy-duty motor, drive chain and conveyor speed control for superior reliability. Toast bread, bagels, English muffins and more!

SPECIFICATIONS

10" wide belt can accommodate two (2) slices of bread side-by-side. Controls offer belt speed adjustment, standby mode, preset channels and intensity settings for both the top and bottom heating elements. Heavy-duty motor, drive chain and conveyor speed control for superior reliability. Conveyor belt tension system for smooth and quiet operation. High performance quartz infrared heaters for superior toasting performance and reliability. Units are easy to disassemble with one-piece cover for cleaning and service. Toasters are furnished with 1" adjustable legs and 4' cord. NEMA 5-15P plug standard for 120V applications. 5-20P for CSA. NEMA 6-20P plug standard for 208 & 240V applications & 230V models available.

WARRANTY

These units come with a one [1] year warranty for parts and labor.

FEATURES

- Forced convection system keeps the toaster cool-to-the-touch and increases productivity by circulating pre-heated air into toasting chamber
- 10" wide belt for up to 2-slices of bread, side-by-side
- Quartz infrared heaters provide faster, more consistent heating than traditional heating elements
- Long lasting, heavy-duty metal knobs and 1" non-skid heavy-duty rubber feet
- Power saver switch that reduces electricity consumption by 75%
- Extended conveyor belt for easy loading and large warming area for higher production
- Safe load-up area with full width coated front burn guard and cool-to-the-touch exterior
- Heated holding area to keep toast at the perfect temperature
- Hi-limit switch prevents toaster from overheating protecting critical component parts

ANALOG CONTROLS

- Variable speed and top/bottom heat control for perfect color and texture of bread, bagels, English muffins and more

ELECTRONIC CONTROLS

- Programmable feature to set stand-by in advance. Will automatically reduce power to set point if toaster is not in use at the programmed time
- Large LED display provides for easier reading of settings
- Easy-to-use electronic control panel allows you to adjust temperature and speed control settings for your bread products
- Pre-programmed from the factory with 4 channel settings for toast, bagels, English muffins and other. Change products on the go with the touch of a button any time during the operation

TOASTING CAPACITY

MODEL	DESCRIPTION	SLICES PER HOUR
QCS2-500/QCSe2-500	1.5" Opening	500
QCS2-600H/QCSe2-600H	3.0" Opening BUN TOASTER	600
QCS2-800/QCSe2-800	1.5" Opening COMPACT TOASTER	800
QCS2-1200B	1.75" Opening BAGEL TOASTER	1,200

CERTIFICATIONS



STAR MANUFACTURING INTERNATIONAL INC.

10 Sunnen Drive • Saint Louis, Missouri 63143
 Telephone 800 264 7827 • Fax 314 781 5445
www.star-mfg.com

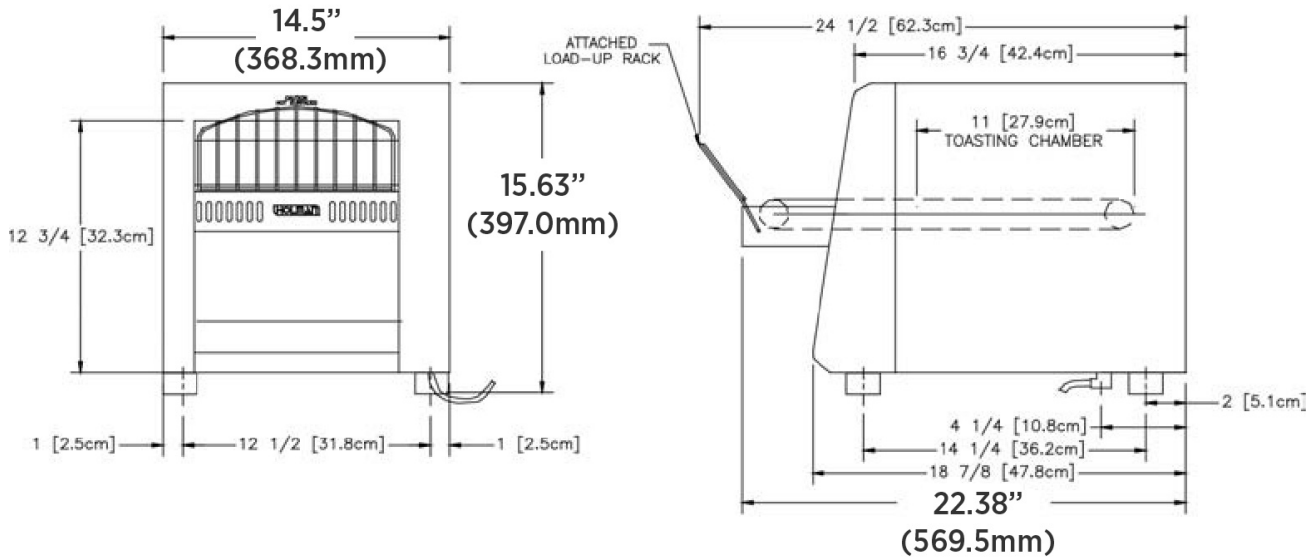
Printed in the U.S.A. • 2M-ZZxxx • Rev - • 3.2017
 Specifications are subject to change without notice
 and are not intended for installation purposes.



Star® QCS2 Series Conveyor Toasters

Analog Controls □QCS2-500 □QCS2-600H □QCS2-800 □QCS2-1200B

Electronic Controls □QCSe2-500 □QCSe2-600H □QCSe2-800



MODEL ANALOG CONTROLS	MODEL ELECTRONIC CONTROLS	DESCRIPTION	SLICES PER HOUR	HEIGHT in. (mm)	WIDTH in. (mm)	DEPTH in. (mm)	VOLTS ¹	HZ 1-PH	AMPS	WATTS	NEMA ² PLUG	APPROX. SHIP WEIGHT
QCS2-500	QCSe2-500	1.5" Opening	500	15.63 (397.0)	14.5 (368.3)	22.38 (569.5)	120	60	14.3	1,700	5-15P 5-20P (CSA)	64 lb. (29.1 kg)
QCS2-600H	QCSe2-600H	3.0" Opening BUN TOASTER	600	15.63 (397.0)	14.5 (368.3)	22.38 (569.5)	208 240 230	60 60 50	13.5 11.7 12.7	2,800 2,800 2,800	6-20P 6-20P CEE7/7	64 lb. (29.1 kg)
QCS2-800	QCSe2-800	1.5" Opening COMPACT TOASTER	800	15.63 (397.0)	14.5 (368.3)	22.38 (569.5)	208 240 230	60 60 50	13.5 11.7 12.7	2,800 2,800 2,800	6-20P 6-20P CEE7/7	64 lb. (29.1 kg)
QCS2-1200B	-	1.75" Opening BAGEL TOASTER	1,200	15.63 (397.0)	14.5 (368.3)	22.38 (569.5)	208 240 230	60 60 50	15.9 13.8 15.0	3,200 3,200 3,200	6-20P 6-20P CEE7/7	64 lb. (29.1 kg)

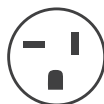
¹Specify 120V, 208V, 240V, 230V service and Canadian applications when ordering ²6ft cord standard
230V Options Available for select QCS2 models



5-15P



5-20P



6-20P



CEE7/7

Due to periodic changes in designs, methods, procedures, policies and regulations, the specifications contained in this sheet are subject to change without notice. While Star Manufacturing exercises good faith efforts to provide information that is accurate, we are not responsible for errors or omissions in information provided or conclusions reached as a result of using the specifications. By using the information provided, the user assumes all risks in connection with such use.



STAR MANUFACTURING INTERNATIONAL INC.

10 Sunnen Drive • Saint Louis, Missouri 63143

Telephone 800 264 7827 • Fax 314 781 5445

www.star-mfg.com

Printed in the U.S.A. • 2M-ZZxxx • Rev - • 3.2017
Please refer to the owner's manual for information regarding installation or use.