



PROJECT: \_\_\_\_\_  
 LOCATION: \_\_\_\_\_  
 ITEM#: \_\_\_\_\_  
 QUANTITY: \_\_\_\_\_

**COMPETITOR SERIES®**



# UNDER-COUNTER/WORK TOP REFRIGERATORS

- Beautiful ergonomic construction & rounded corners
- Electro-mechanical thermostat with thermometer read-out. (Mid Year 2015: Digital tempature controller & read out)
- All stainless steel exterior and interior
- Forced air refrigeration system
- Recessed door handles
- Pre-installed casters and shelving
- 90 degree hold open door feature for loading products
- Optional Accessory: Backsplash for Work-Tops for in-the-field installment
- Migali® Protection Plan: 1 Year Parts & Labor Warranty, 5 Years Compressor Warranty

MODEL	DOORS	CU/FT	SHELVES	H/P	AMPS	VOLTAGE	WEIGHT(lbs)	ENERGY CONSUMPTION Kwh/24hr	PLUG TYPE	DIMENSIONS L x D x H	TEMPERATURE RANGE
C-U27R	1	6.5	1	1/4	2.5	115/60/1	187 lbs.	1.9	Nema 5-15P	27.5" x 30" x 36.5"	+33° F (-) +41° F
C-U48R	2	12	2	1/3	3.5	115/60/1	232 lbs.	2.8	Nema 5-15P	48.2" x 30" x 36.5"	+33° F (-) +41° F
C-U60R	2	18.2	2	1/2	3.6	115/60/1	287 lbs.	2.8	Nema 5-15P	60.2" x 30" x 36.5"	+33° F (-) +41° F
C-U72R	3	24.5	3	1/2	3.6	115/60/1	298 lbs.	2.8	Nema 5-15P	72.7" x 30" x 36.5"	+33° F (-) +41° F

\* MIGALI® RESERVES THE RIGHT TO CHANGE SPECIFICATIONS WITHOUT NOTICE

\* TOTAL HEIGHT INCLUDES CASTERS



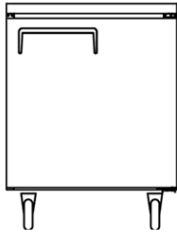
TOLL FREE: 800.852.5292  
 WEB: www.migali.com



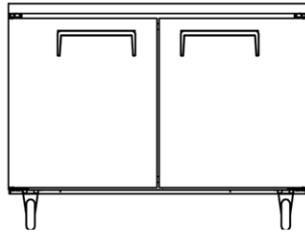
MIGALI® REMAINS AN AMERICAN FAMILY COMPANY SINCE 1955

# DIMENSIONAL DRAWINGS

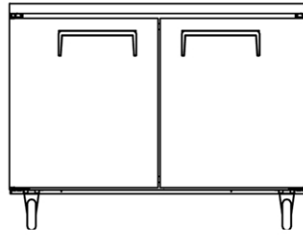
**C-U27R**



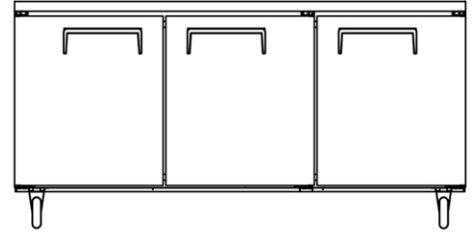
**C-U48R**



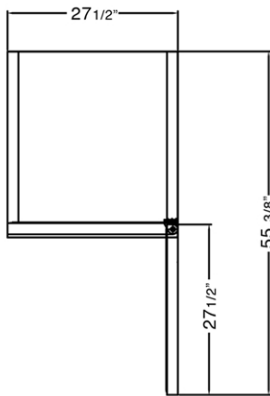
**C-U60R**



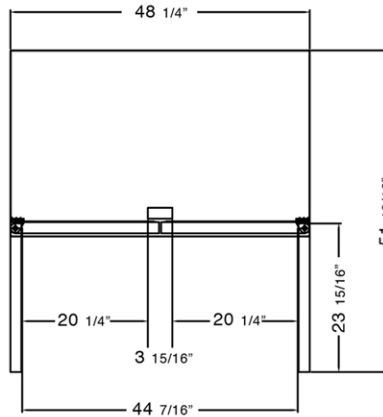
**C-U72R**



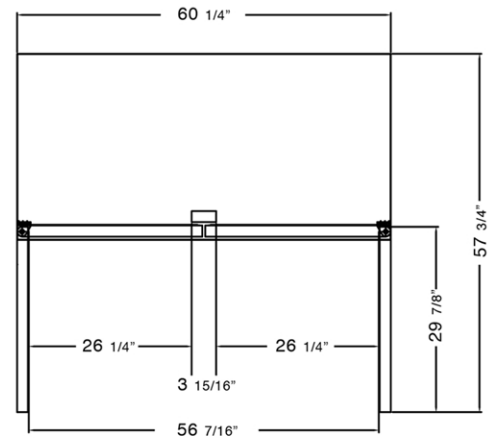
**C-U27R TOP VIEW**



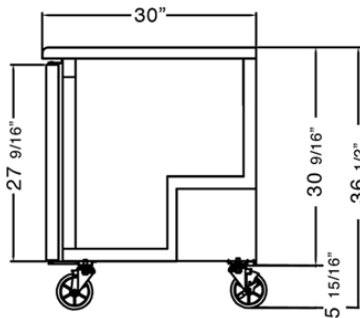
**C-U48R TOP VIEW**



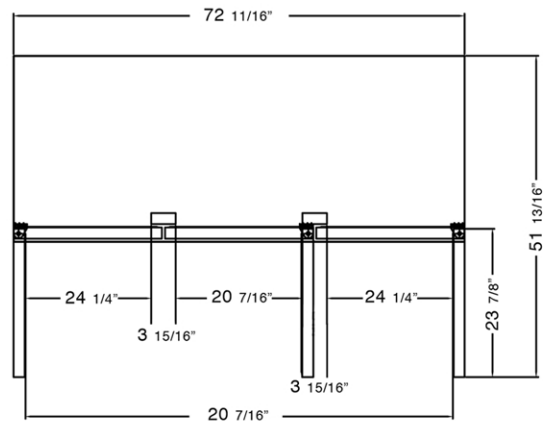
**C-U60R TOP VIEW**



**SIDE VIEW (1,2,3) DOORS MODELS**



**C-U72R TOP VIEW**



**TOLL FREE:** 800.852.5292

**FAX:** 856.963.3604

**EMAIL:** [contact@migali.com](mailto:contact@migali.com)

**WEB:** [www.migali.com](http://www.migali.com)



MIGALI® REMAINS AN AMERICAN FAMILY COMPANY SINCE 1955