



RFS-0300 Flake Ice Machine

Model

RFS-0300A



Model RFS-0300A
Flake Ice Machine
on B-420 Bin

Standard Features

- Up to 384 lbs. (174 kgs) daily flake ice production.
- Now in standard measurements for perfect pairing with 22" ice bins. No adapter needed.
- Service updates facilitate installation and make cleaning easier.
- Energy Improvements with RFS models averaging 5% across the line.
- Heavy duty stainless steel cabinet resists corrosion.

Warranty

- 3-year Parts.
- 2-year Labor.
- Compressor parts for 5 years and labor for 2 years.

Specifications

Condenser Heat of Rejection (BTU per hour):
5,000 (average)

Compressor:
Nominal rating: 1/2 HP

Refrigerant:
R-404A

Operating Limits:

- Ambient Temperature Range: 50°-110°F (10°-43°C)
- Water Temperature Range: 37°-90°F (3°-32°C)
- Water Pressure Ice Maker
Water In:
Min. 14 psi (96.5 kPa)
Max. 80 psi (551.1 kPa)

Ice Machine Electric

115/60/1 standard. (230/50/1 also available.)

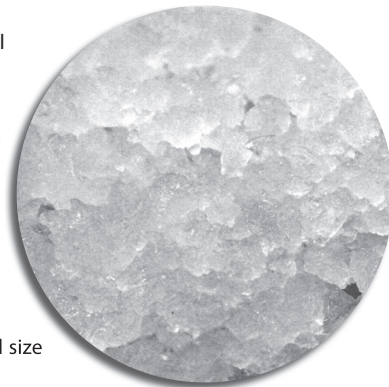
Minimum circuit ampacity:
12.8 amps.

Maximum fuse size:
20 amps.

HACR-type circuit breakers can be used in place of fuses.

Ice Shape

Flake ice is small hard bits of ice ideally suited for presentation applications.



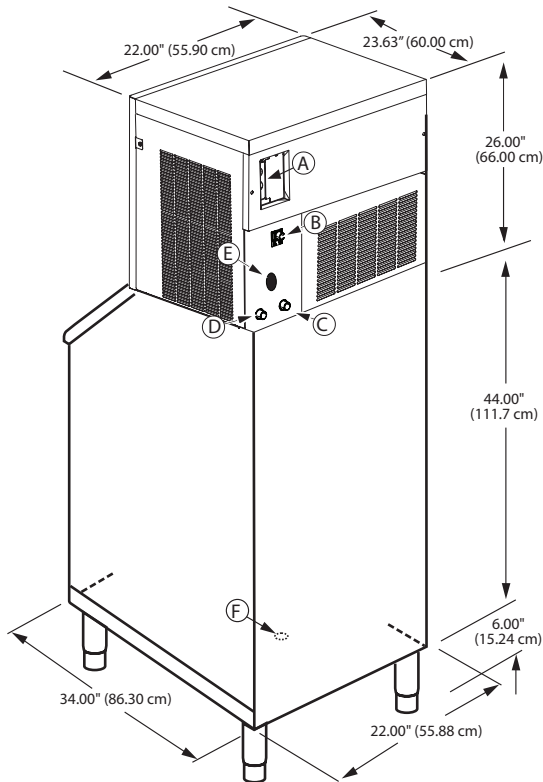
Ice shown actual size





RFS-0300 Flake Ice Machine

RFS-0300 on B-420 Storage Bin



Installation Note -
Minimum installation clearance:
Top/sides: 8" (20.32 cm),
Back: 5" (12.70 cm).

- (A) Electrical Entrance (2) Options
- (B) 3/8" F.P.T. Condenser Inlet (water-cooled only)
- (C) 1/2" M.P.T. Condenser Drain (water-cooled only)
- (D) 1/2" M.P.T. Ice Making Water Drain
- (E) 3/8" F.P.T. Ice Making Water Inlet
- (F) 3/4" Bin Drain

Space-Saving Designs



RFS-0300 on B-420

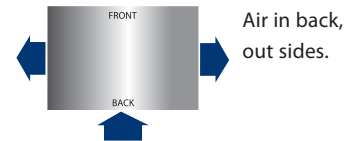
Height	76.00" 193.00 cm
Width	22.00" 55.90 cm
Depth	34.00" 86.36 cm
Bin Storage	310 lbs. 140.7 kgs

Height includes adjustable bin legs
6.00" to 7.00", (15.24 to 17.78 cm)
set at 6.00" (15.24 cm).

Accessories

K-00365 30" B Style Bin Adapter

Air Flow Overhead View



Air-cooled Ice Machine	Model	Ice Shape	Ice Production 24 Hours		Power kWh/100 lbs @ 90°Air/70°F	Potable Water Usage (100 lbs./45.4 kgs of Ice)
			70° Air/50°F Water 21° Air/10° C Water	90° Air/70°F Water 32° Air/21° C Water		
			RFS-0300A	Flake		

