



# RF-2300 Flake Ice Machine

## Models

- RF-2300A       RF-2300W



RF-2300A Flake Ice Machine  
on F-1650 Bin

## Standard Features

- Up to 2,608 lbs. (1,183 kgs) daily flake ice production.
- Flake Ice is perfect for food display, salad bars, and cold therapy/healthcare.
- Ice forms around object without bruising and holds objects in place without tipping/spilling.
- High load capacity bearings for enhanced reliability.
- Heavy duty stainless steel cabinet resists corrosion.



## Specifications

### Condenser Heat of Rejection (BTU per hour):

Air: 29,500 (average)  
Water: 2,800 (average)

### Compressor:

Nominal rating: 3 HP

### Refrigerant:

R-404A

### Operating Limits:

- Ambient Temperature Range: 50°-110°F (10°-43°C)
- Water Temperature Range: 37°-90°F (3°-32°C)
- Water Pressure Ice Maker Water In: Min. 14 psi (96.5 kPa) Max. 80 psi (551.6 kPa)
- Condenser Inlet Water In: (water-cooled only) Min. 20 psi (137.9 kPa) Max. 150 psi (1034.2 kPa)  
Water condenser not for sea water applications.

## Ice Machine Electric

208-230/60/3 phase (400-415/50/3 also available)

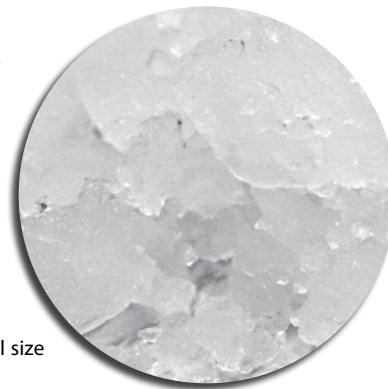
**Maximum circuit ampacity:** 15 amps.

**Maximum fuse size:** 20 amps.

HACR-type circuit breakers can be used in place of fuses.

## Ice Shape

Combination of small and large bits of ice for presentation and cooling applications.



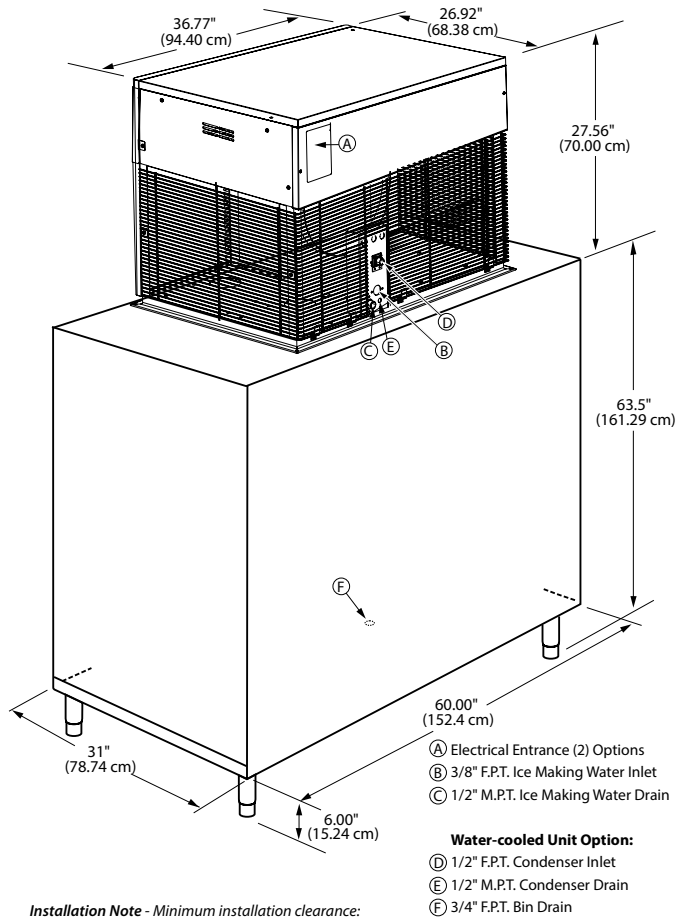
Ice shown actual size





# RF-2300 Flake Ice Machine

## RF-2300 on F-1650 Storage Bin



**Installation Note** - Minimum installation clearance:  
 Top/sides: 8" (20.32 cm), back: 5" (12.70 cm).

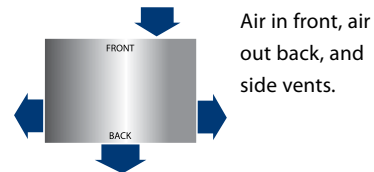
## Space-Saving Designs



	RF-2300 F-1300	RF-2300 F-1650
Height	91.06" 231.3 cm	91.06" 231.3 cm
Width	48.00" 121.92 cm	60.00" 152.40 cm
Depth	31.00" 78.74 cm	31.00" 78.74 cm
Bin Storage	1320 lbs. 599 kgs	1660 lbs. 753 kgs

Height includes bin legs 6.00" (15.24 cm)

### Air Flow Overhead View



	Model	Ice Shape	Ice Production 24 Hours		Power kWh/100 lbs @ 90°Air/70°F Water 32°Air/21°C Water	Condenser Water Usage (100 lbs./45.4 kgs of Ice)
			70°Air/50°F Water 21°Air/10°C Water	90°Air/70°F Water 32°Air/21°C Water		
Air-cooled	RF-2300A	Flake	2,460 lbs.	1,819 lbs.	4.1	N/A
			1,116 kgs	825 kgs		N/A
Water-cooled	RF-2300W	Flake	2,608 lbs.	2,201 lbs.	3.63	138 Gal.
			1,183 kgs	998 kgs		522.4 L