



Your Solutions Partner

Specifications

F.O.B. Sedalia, Missouri 65301



E302

OPTIONS:

- 3-phase wiring
- 1,000 watt elements
- Stainless steel heat compartment liner
- Drop type brackets for cutting board
- Stainless steel feet
- Adapter plates
- Insets/Inset Covers
- Spillage pans
- Dish Shelf
- Trayslides & Workshelves
- Foodshields

CERTIFICATIONS:



DUKE MANUFACTURING CO.
 2305 N. Broadway
 St. Louis, MO 63102
 800.735.3853 Toll Free
 314.231.5074 Fax
 www.dukemfg.com
 SS-1050 Aerohot Electric

Approval Stamp(s):

PRODUCT INFORMATION:

PROJECT: _____
 ITEM: _____
 QUANTITY: _____

MODEL:

**Aerohot™ Foodservice
 Hot Food Units - Electric**

- E302/EP302 2 top openings
- E303/EP303 3 top openings
- E304/EP304 4 top openings
- E305/EP305 5 top openings

TOP:

- 20 gauge, stainless steel
- Die-stamped openings - 12" x 20"
- Poly carving board - 7"W x ½" thick with 18 gauge stainless steel support shelf and die-stamped brackets

HEAT COMPARTMENTS:

- Each with die-formed 8" deep galvanized liner
- Insulated with 1" thick fiberglass or equal, all four sides and bottom
- Single phase standard

BODY AND INTERIOR SHELF:

- 20 gauge, 430 Series stainless steel body
- 20 gauge, 430 Series stainless steel undershelf
- 430 Series stainless steel tubular legs with adjustable plastic feet

ELECTRICAL INFORMATION:

- 500 or 750 watt dome-type element for each compartment
- Wired to operate on 120, 208 or 240 Volt
- Single or Three phase
 - AC current
 - Each section with infinite switch
 - Permanently wired, 6' long cord and plug provided

Specification subject to change



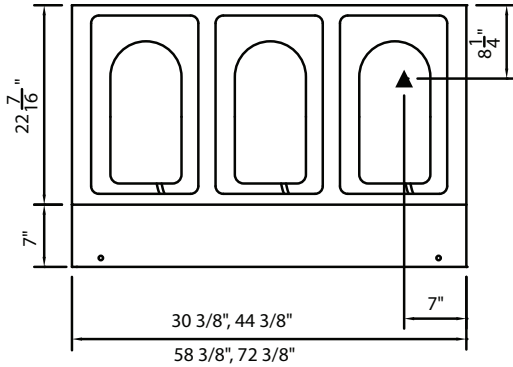
REV C 09/25/2019

AEROHOT™ FOODSERVICE - HOT FOOD UNITS - ELECTRIC

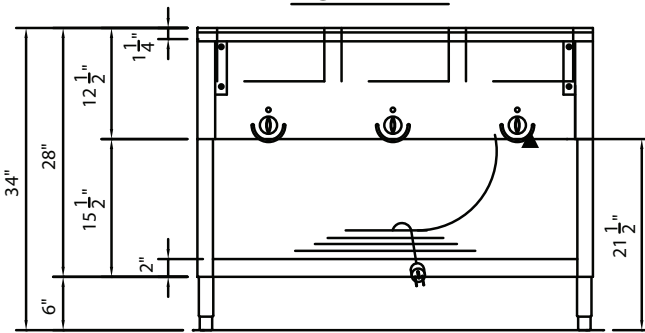
Catalog No. AFS-ELECHOT

A.I.A. File No. 35-C-13

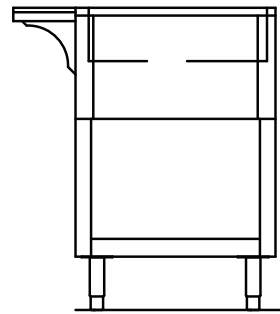
Aerohot®



TOP VIEW



FRONT VIEW



RIGHT SIDE VIEW

DIMENSIONS: (Consult factory for 3-phase electrical requirements and other options.)

FREIGHT CLASS: 85

| Model | Length | | Width | | Height | | Top Openings | Cube ft. Crated | Weight | |
|-------------------|--------|-------|---------|------|--------|------|--------------|-----------------|---------|-----------|
| | in | cm | in | cm | in | cm | | | lbs | kg |
| E302/EP302 | 30 3/8 | 77.2 | 22 7/16 | 57.1 | 34 | 86.4 | 2 | 23.4 | 81/90 | 36.8/40.9 |
| E303/EP303 | 44 3/8 | 112.8 | 22 7/16 | 57.1 | 34 | 86.4 | 3 | 32.5 | 107/114 | 48.6/51.8 |
| E304/EP304 | 58 3/8 | 148.3 | 22 7/16 | 57.1 | 34 | 86.4 | 4 | 41.5 | 138/144 | 62.7/65.5 |
| E305/EP305 | 72 3/8 | 183.9 | 22 7/16 | 57.1 | 34 | 86.4 | 5 | 50.5 | 165/172 | 75.0/78.2 |

ELECTRICAL SPECIFICATIONS: CONTACT FACTORY: Electric values & plug configurations change for 3 phase or when adding electric options.

| Model | 120 Volt - 500 watt elements | | | 208 Volt - 750 watt elements | | | 240 Volt - 750 watt elements | | |
|-------------------|------------------------------|------|-------|------------------------------|------|-------|------------------------------|------|------|
| | Watts | Amps | NEMA | Watts | Amps | NEMA | Watts | Amps | NEMA |
| E302/EP302 | 1000 | 8.3 | 5-15 | 1500 | 7.2 | 6-20 | 1500 | 6.3 | 6-20 |
| E303/EP303 | 1500 | 12.5 | 5-15 | 2250 | 10.8 | 6-20 | 2250 | 9.4 | 6-20 |
| E304/EP304 | 2000 | 16.7 | L5-30 | 3000 | 14.4 | 6-20 | 3000 | 12.5 | 6-20 |
| E305/EP305 | 2500 | 20.8 | L5-30 | 3750 | 18.0 | L6-30 | 3750 | 15.6 | 6-20 |

*Cord and NEMA plug included



Duke Manufacturing Co.
2305 N. Broadway
St. Louis, MO 63102

Phone: 314-231-1130
Toll Free: 1-800-735-3853
Fax: 314-231-5074

www.dukemfg.com