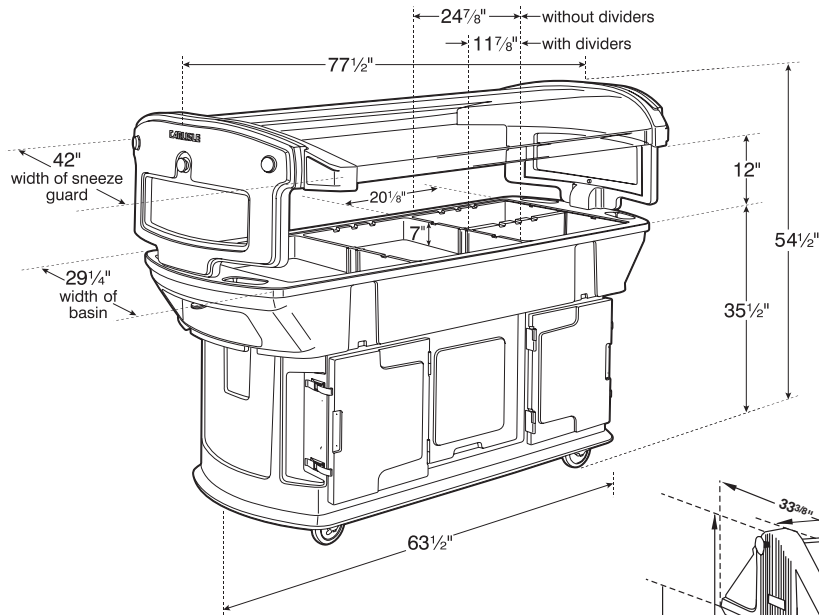
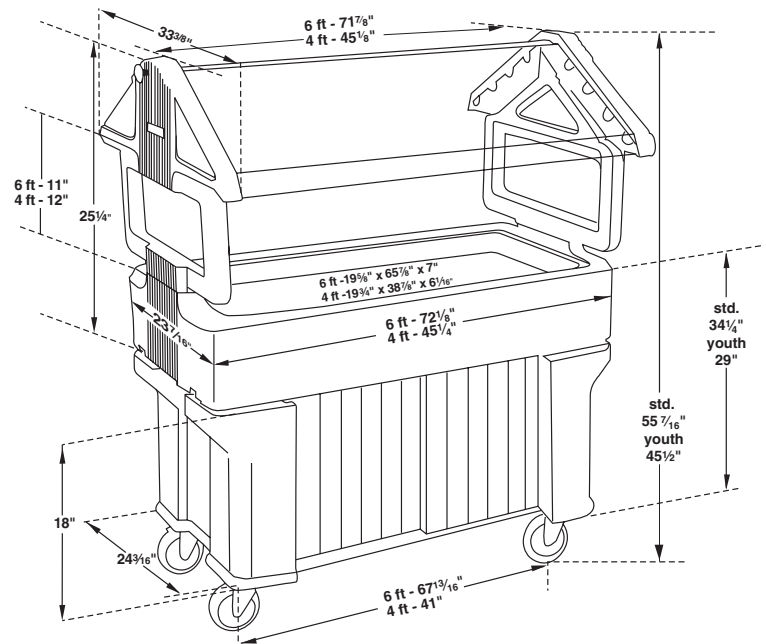


tech specs

FOOD BARS & ACCESSORIES



Maximizer™ Food Bar



Six★Star Food Bars

MAXIMIZER™ FOOD BAR

shown on page 96

Material: Polyethylene

| Product Number | Total Length | Total Width | Total Height |
|----------------|------------------------------|--------------------------------|--------------|
| 7711 | 93.00 (end shelf upright) | 48.25 (tray slides upright) | 54.50 |

MAXIMIZER™ TRAY SLIDE, END SHELF

shown on page 96

Material: Polyethylene

| Product Number | Length | Width | Height |
|----------------|--------|-------|--------|
| 7721 | 68.75 | 8.50 | 1.75 |
| 7725 | 17.63 | 25.00 | 1.63 |

MAXIMIZER™ ORGANIZERS

shown on page 96

Material: ABS

| Product Number | Overall Length | Overall Width | Overall Height |
|----------------|----------------|---------------|----------------|
| 7731 | 20.85 | 26.00 | 0.25 |
| 7734 | 20.85 | 26.00 | 0.25 |
| 7741 | 20.85 | 26.00 | 0.25 |

SIX★STAR™ FOOD BARS

shown on page 97

Material: Polyethylene

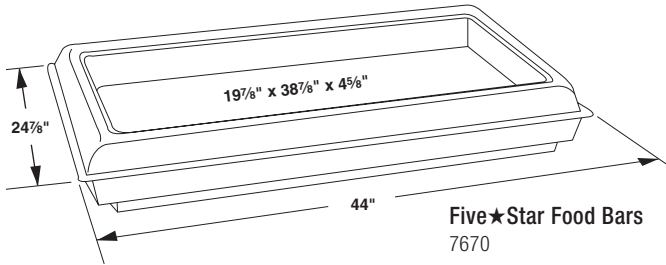
| Product Number | Overall Length | Overall Width | Overall Height |
|----------------|----------------|---------------|----------------|
| 6600 | 45.25 | 23.68 | 25.25 |
| 6601 | 72.12 | 23.68 | 25.25 |
| 6605 | 45.25 | 23.68 | 51.00 |
| 6606 | 72.12 | 23.68 | 51.00 |
| 6611 | 72.12 | 23.68 | 51.00 |
| 6608 | 72.12 | 23.68 | 45.50 |

SIX★STAR™ FOOD BAR ACCESSORIES

shown on page 98

Material: Polyethylene

| Product Number | Length | Width | Height |
|----------------|--------|-------|--------|
| 6620 | 44.00 | 9.00 | 2.00 |
| 6621 | 68.75 | 8.50 | 1.75 |
| 6625 | 20.62 | 15.87 | 1.75 |

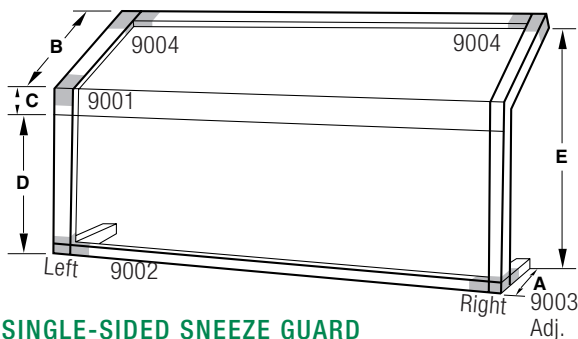


FIVE★STAR™ BUFFET BARS

shown on page 98

Material: Polyethylene

| Product Number | Int/Ext Length | Int/Ext Width | Depth/a Height |
|----------------|----------------|---------------|----------------|
| 7670 | 38.87/44.00 | 19.87/24.87 | 4.62/6.62 |
| 7671 | 65.00/70.63 | 19.12/24.87 | 4.62/6.62 |



SINGLE-SIDED SNEEZE GUARD

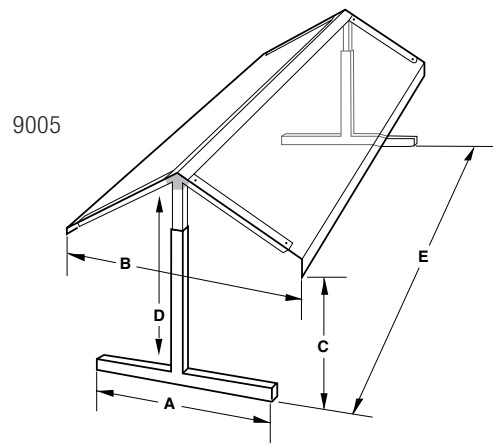
| Dim. US | Standard 9148, 9160, 9172 | Adjustable 9224, 9248, 9260, 9272 |
|---------|---------------------------|-----------------------------------|
| A | 12.18 | 12.44 |
| B | 16.62 | 16.44 |
| C | 1.31 | 1.31 |
| D | 15.31 | 11.75 - 17.81 |
| E | 24.69 | 21.12 - 26.94 |

SNEEZE GUARDS

shown on page 98-99

Material: Acrylic, Aluminum

| Product Number | Length | Depth |
|---|--------|-------|
| Single-Sided Sneeze Guards Height 26", Clearance from tabletop 14-1/2" | | |
| 9148 | 48.00 | 12.19 |
| 9160 | 60.00 | 12.19 |
| 9172 | 73.37 | 12.19 |
| Single-Sided Adjustable Sneeze Guards Adjust lowest edge of guard from 10-1/2" to 16-1/2" from tabletop | | |
| 9224 | 24.25 | 12.44 |
| 9248 | 48.25 | 12.44 |
| 9260 | 60.25 | 12.44 |
| 9272 | 73.62 | 12.44 |



DOUBLE-SIDED SNEEZE GUARD

| Dim. US | Standard 9710, 9712 | Adjustable 9720, 9722 |
|---------|------------------------------|------------------------------|
| A | 22.37 | 22.37 |
| B | 29.12 | 29.12 |
| C | 15.25 | 11.25 - 21.25 |
| D | 25.37 | 18.00 - 28.25 |
| E | 9710 - 48.00 9712 - 73.37 | 9720 - 48.25 9722 - 73.62 |

Double-Sided Standard Sneeze Guards

Height 26", Clearance from tabletop 14-1/2"

| | | |
|------|-------|-------|
| 9710 | 48.00 | 29.12 |
| 9712 | 73.37 | 29.12 |

Double-Sided Adjustable Sneeze Guards

Adjust lowest edge of guard from 10-1/2" to 16-1/2" from tabletop

| | | |
|------|-------|-------|
| 9720 | 48.25 | 29.12 |
| 9722 | 73.62 | 29.12 |

End Panel Sneeze Guards

| | | |
|------|-------|-------|
| 9051 | 14.00 | 10.00 |
| 9052 | 28.04 | 9.90 |

Suspended Sneeze Guards

Also includes chain and mounting kit for standard and suspended ceiling

| Product Number | | Length | Chain Length | Depth |
|----------------|--------------|--------|--------------|-------|
| 9414 | Double-Sided | 48.00 | 78.00/30.00 | 29.12 |
| 9416 | Double-Sided | 73.37 | 78.00/30.00 | 29.12 |

ELECTRIC KETTLE

shown on page 99

Material: See Below

| Product Number | Shell Material | Diameter | Insert Height | Capacity |
|----------------|----------------|----------|---------------|----------|
| 0588 | Polypropylene | 15.25 | 14.63 | 10.5 qt |

ADAPTER BARS

shown on page 99

Material: 18-8 Stainless Steel

| Product Number | Length | Width | Depth/Height | Capacity |
|----------------|--------|-------|--------------|----------|
| 6070A | 20.50 | 0.75 | — | — |
| 6071A | 12.75 | 0.75 | — | — |

COLDMASTER®

shown on page 101-103

Material: ABS/High Density Polyethylene (HDPE)/Impact Acrylic/Linear Low Density Polyethylene (LLDPE)/Polypropylene (PPY)/Styrene (STY)

Coldmaster® Standard Food Pans (ABS)

| Product Number | Inside L/W | Outside L/W | Inside/ Outside Ht. | Capacity |
|----------------|------------|-------------|---------------------|----------|
| CM1100 | 17.70 | 20.68 | 5.78 | 15.0 qt |
| | 9.74 | 12.72 | 6.40 | — |
| CM1101 | 9.85 | 12.73 | 5.59 | 6.0 qt |
| | 7.46 | 10.36 | 6.01 | — |
| CM1102 | 10.20 | 12.68 | 5.59 | 4.0 qt |
| | 4.20 | 6.89 | 6.01 | — |
| CM1103 | 10.20 | 12.68 | 5.59 | 1.7 qt |
| | 4.20 | 6.89 | 6.01 | — |
| CM1104 | 4.19 | 6.84 | 5.50 | 1.6 qt |
| | 3.63 | 6.25 | 5.91 | — |
| CM1105 | 4.69 | 6.88 | 5.63 | 1.7 qt |
| | 4.25 | 6.25 | 6.38 | — |

Coldmaster® Standard Lids (Acrylic)

| Product Number | Length | Width | Height |
|----------------|--------|-------|--------|
| CM1125 | 20.65 | 12.68 | 0.13 |
| CM1126 | 12.76 | 10.38 | 0.13 |
| CM1127 | 12.72 | 6.90 | 0.13 |
| CM1128 | 6.85 | 6.27 | 0.13 |

Coldmaster® Coldpans and Lids (ABS)

| Product Number | Inside L/W | Outside L/W | Inside/ Outside Ht. | Capacity |
|----------------|------------|-------------|---------------------|----------|
| CM1042 | 19.80 | 24.04 | 6.02 | 24.1 qt |
| | 11.77 | 16.03 | 7.50 | — |
| CM1040 | 19.65 | 22.38 | 4.19 | 15.9 qt |
| | 11.55 | 14.23 | 5.53 | — |
| CM1042LP | — | 24.25 | 1.00 | — |
| | — | 16.18 | — | — |
| CM1043 | 18.12 | 21.91 | 6.00 | 12.5 qt |
| | 5.97 | 9.79 | 7.50 | — |
| CM1045 | 11.96 | 15.60 | 6.30 | 7.5 qt |
| | 6.18 | 9.80 | 7.25 | — |
| CM1046 | 13.11 | 16.89 | 6.09 | 16.0 qt |
| | 11.93 | 15.72 | 7.30 | — |

Coldmaster® Ice Cream Server & Lid

| Product Number | Overall Diam | Inside/ Outside Diam | Inside/ Outside Ht. | Capacity |
|----------------|--------------|----------------------|---------------------|----------|
| CM1012 (ABS) | 12.38 | 10.06/11.25 | 10.00/11.00 | 3.0 gal |
| CM1013 (PC) | 12.50 | — | 4.00 | — |
| 38655 (SS) | 12.00 | — | 10.88 | — |

Coldmaster® Pan/Organizer

| Product Number | Inside L/W | Outside L/W | Inside/ Outside Ht. | Capacity |
|----------------|------------|-------------|---------------------|----------|
| CM1049 | 19.80 | 24.04 | 6.02 | 24.1 qt |
| | 11.77 | 16.03 | 7.50 | — |

Coldmaster® Coldbowl

| Product Number | Inside Diameter | Outside Diameter | Inside/ Outside Ht. | Capacity |
|----------------|-----------------|------------------|---------------------|----------|
| CM1050 (ABS) | 14.75 | 18.06 | 4.50/5.18 | 12.0 qt |

Coldmaster® Coldcorks and Accessories

| Product Number | Inside Diameter | Outside Diameter | Inside/ Outside Ht. | Capacity |
|--|-----------------|------------------|---------------------|---------------|
| CM1030 (PPY) | 5.25 | 7.31 | 6.31/7.12 | 2.0 qt |
| CM1032 (Acrylic) | — | 6.25 | — | — |
| CM1033 (Acrylic) | — | 6.25 | — | — |
| CM1033P (Acrylic) | — | 6.25 | — | — |
| CM1035 (Top: HDPE; Outer: PPY; Tube: LLPE) | — | — | — | 0.5 or 1.0 oz |
| CM1037 (HDPE) | — | — | 10.25 | 1.0 oz |
| CM1034 (Acrylic) | 4.79 | 6.62 | — | — |

CLASSIC™ & POLY-TUF™ CROCKS

shown on page 104

Classic™ Crock

Material: SAN w/Polypropylene Lid

| Product Number | Lip Diameter | Under Lip Diameter | Height | Capacity |
|----------------|--------------|--------------------|--------|----------|
| 0300 | 5.06 | 4.50 | 2.62 | 0.6 qt |
| 0301/0301-3 | 5.06 | 4.68 | 5.18 | 1.2 qt |
| 0316/0306-3 | 6.56 | 6.12 | 4.06 | 1.5 qt |
| 0302/0302-3 | 6.56 | 6.16 | 6.75 | 2.7 qt |
| 0304 | 7.93 | 7.53 | 6.75 | 4.0 qt |

Poly-Tuf™ Crock

Material: Polypropylene w/Polypropylene Lid

| Product Number | Lip Diameter | Under Lip Diameter | Height | Capacity |
|----------------|--------------|--------------------|--------|----------|
| 0341 | 5.06 | 4.68 | 5.18 | 1.2 qt |
| 0343 | 6.56 | 6.06 | 4.00 | 1.5 qt |
| 0342 | 6.56 | 6.18 | 6.75 | 2.7 qt |

SUPREME™ CROCKS

shown on page 105

Material: SAN w/Polypropylene Lid

| Product Number | Lip Diameter | Under Lip Diameter | Height | Capacity |
|----------------|--------------|--------------------|--------|----------|
| 0365 | 6.56 | 6.16 | 3.68 | 1.5 qt |
| 0372 | 6.56 | 6.13 | 6.75 | 2.7 qt |

GOURMET CROCK

shown on page 105

Material: Polycarbonate w/Polypropylene Lid

| Product Number | Top Lip Diameter | Under Rim Diameter | Height | Capacity |
|----------------|------------------|--------------------|--------|----------|
| 7039 | 7.12 | 6.12 | 4.12 | 1.9 qt |

CARLY® TONGS

shown on page 107

Material: see below

| Product Number | Clear Number | Length |
|----------------|--------------|--------|
| Acetal: | PC: | |
| 4606 | 4006 | 6.23 |
| 4609 | 4009 | 9.03 |
| 4709 | 4109 | 8.85 |
| 4712 | 4112 | 11.75 |
| 4806 | 4206 | 6.10 |
| 4720 | — | 7.38 |

Note: Two year warranty not available on Clear Tong

SALAD SPOON

shown on page 107

Material: SAN

| Product Number | Length | Capacity |
|----------------|--------|----------|
| 509 | 11.00 | 1.3 oz |

SERVING SPOONS

shown on page 107

Material: Polycarbonate

| Solid Number | Perforated Number | Overall Length | Capacity |
|--------------|-------------------|----------------|----------|
| 4410 | 4411 | 11.00 | 1.5 oz |
| 4420 | 4421 | 13.00 | 1.5 oz |
| 4430 | 4431 | 15.00 | 1.5 oz |

SALAD/BUFFET SPOONS

shown on page 107

Material: Polycarbonate

| Product Number | Length | Capacity |
|----------------|--------|----------|
| 4450 | 8.00 | 0.3 oz |
| 4460 | 8.00 | 0.5 oz |
| 4470/4471 | 10.00 | 0.8 oz |

PASTA FORKS

shown on page 107

Material: Polycarbonate

| Product Number | Overall Length | Handle Length |
|----------------|----------------|---------------|
| 4355 | 9.50 | 7.00 |

CARLY® LADLES

shown on page 107

Material: Polycarbonate

| Product Number | | Length | Capacity |
|----------------|----------------|--------|----------|
| 0295/0287 | 9-1/2" Series | 9.50 | 1.0 oz |
| 0296/0288 | 13-1/2" Series | 13.50 | 1.0 oz |

LADLES

shown on page 107

Material: Polycarbonate

| Product Number | | Length | Capacity |
|----------------|----------------|--------|----------|
| 0240/0261 | 10-1/2" Series | 10.50 | 0.75 oz |