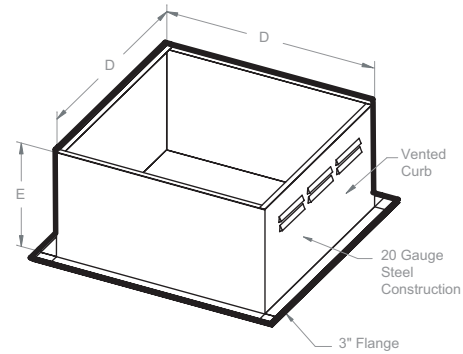
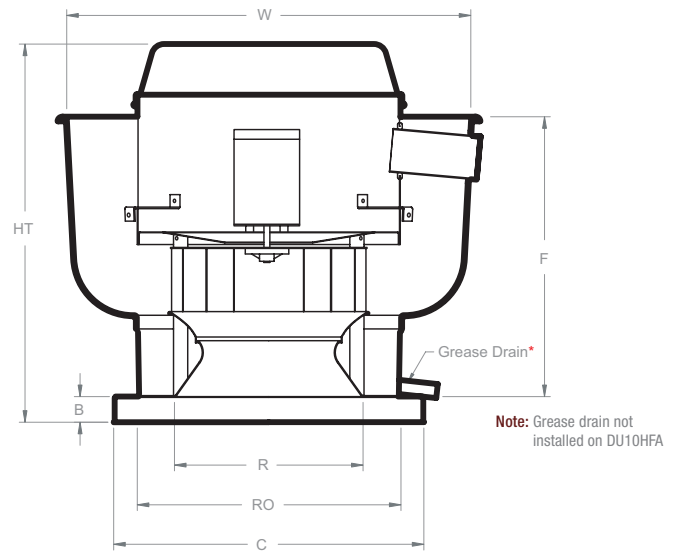


DU-HFA Direct Drive

Centrifugal Upblast Fans



Features & Benefits

- Completely enclosed drive compartment protects motor from airborne contaminants
- Forced fresh air through the motor compartment cools motor and ensures long motor life
- Variable speed control
- Non-overloading backward inclined wheels, blades and inlets fabricated from 3003-H14 aluminum
- All sizes can be wall mounted
- Quick release latches allow for easy access to motor compartment
- External disconnect switch
- Fully welded leak proof grease drain

Options

- ECM Motor
- Gravity Damper (UL705 only)
- Motorized Damper (UL705 only)
- Wall Mount Sleeve
- Roof Curb (Vented and Non-vented)
- Grease Collection Box (size 12 and larger)
- Bird Screen (UL705 only)
- Base Hinging Kit or Hinged Sub Base (for NFPA96 compliance)

Certifications



CaptiveAire certifies that Model DU10HFA thru DU85HFA shown herein are licensed to bear the AMCA seal. The ratings shown are based on tests and procedures performed in accordance with AMCA Publication 211 and Publication 311, and comply with the requirements of the AMCA Certified Rating Program.



Models DU10HFA thru DU85HFA are ETL Listed under file number 3049729-002 and comply with UL705 (electrical) Standards and CSA Std C22.2, No 113.

Models DU12HFA thru DU85HFA are ETL Listed under file number 3049729-001 and comply with UL762 Standards.

Measurements

MODEL	HT	W	B	C	D	E	F	R	RO	Weight (lbs)	Damper (lbs)
DU10HFA	14 1/2	17 3/4	2	19	17 1/2	12	9 1/2	8 1/8	13	30	12
DU12HFA	18	22	2	19	17 1/2	12	14 1/2	10 5/8	13	40	12
DU30HFA	25 1/4	25 1/2	2	21	19 1/2	12	18 1/2	12 1/8	16	50	15
DU33HFA	25 1/4	25 1/2	2	21	19 1/2	12	18 1/2	12 1/8	16	50	15
DU50HFA	27 1/4	28 7/8	2	21	19 1/2	12	21 1/2	13 1/4	16	55	15
DU85HFA	30 1/2	31 7/8	2	24 3/4	23	12	23	14 7/8	20	60	19

BHP (Brake Horsepower): The actual power developed by a motor as measured by the force applied to a shaft or flywheel.

Performance				0.00"	0.125"	0.25"	0.375"	0.50"	0.625"	0.75"	0.825"	1.00"	1.25"	1.50"	1.75"	2.00"
MODEL	RPM	Tip Speed	Motor HP	CFM Sone/BHP	CFM Sone/BHP	CFM Sone/BHP	CFM Sone/BHP	CFM Sone/BHP	CFM Sone/BHP	CFM Sone/BHP	CFM Sone/BHP	CFM Sone/BHP	CFM Sone/BHP	CFM Sone/BHP	CFM Sone/BHP	CFM Sone/BHP
DU10HFA	1100	2592	0.08	369 3.1 / 0.03	304 3.1 / 0.03	226 3.1 / 0.03	112 3.1 / 0.03									
DU10HFA	1200	2827	0.08	402 4.0 / 0.03	343 4.0 / 0.03	277 4.0 / 0.03	192 4.0 / 0.03	45 4.0 / 0.02								
DU10HFA	1300	3063	0.08	436 4.9 / 0.04	382 4.9 / 0.04	322 4.9 / 0.04	252 4.9 / 0.04	160 4.9 / 0.04								
DU10HFA	1400	3299	0.08	469 5.9 / 0.05	419 5.9 / 0.05	365 5.9 / 0.05	304 5.9 / 0.05	232 5.9 / 0.05	124 5.9 / 0.05							
DU10HFA	1500	3534	0.08	503 7.1 / 0.07	457 7.1 / 0.07	407 7.1 / 0.07	353 7.1 / 0.07	290 7.1 / 0.07	215 7.1 / 0.07	99 7.1 / 0.07						
DU10HFA	1600	3770	0.08	537 7.8 / 0.08	493 7.8 / 0.08	447 7.8 / 0.08	398 7.8 / 0.08	343 7.8 / 0.08	280 7.8 / 0.08	204 7.8 / 0.08	84 7.8 / 0.08					
DU12HFA	1125	3093	0.18	530 4.8 / 0.06	439 4.8 / 0.06	322 4.8 / 0.06	187 4.8 / 0.06									
DU12HFA	1225	3367	0.18	577 5.8 / 0.08	495 5.8 / 0.08	394 5.8 / 0.08	271 5.8 / 0.08	148 5.8 / 0.08								
DU12HFA	1325	3642	0.18	624 6.9 / 0.10	549 6.9 / 0.10	461 6.9 / 0.10	352 6.9 / 0.10	238 6.9 / 0.10	119 6.9 / 0.10							
DU12HFA	1425	3917	0.18	671 8.2 / 0.12	602 8.2 / 0.12	524 8.2 / 0.12	429 8.2 / 0.12	322 8.2 / 0.12	217 8.2 / 0.12	93 8.2 / 0.09						
DU12HFA	1525	4192	0.18	718 9.4 / 0.15	654 9.4 / 0.15	584 9.4 / 0.15	501 9.4 / 0.15	402 9.4 / 0.15	304 9.4 / 0.15	206 9.4 / 0.15	78 9.4 / 0.08					
DU30HFA	825	2538	0.25	640 3.9 / 0.03	520 3.9 / 0.03	355 3.9 / 0.03										
DU30HFA	925	2845	0.25	717 4.8 / 0.05	612 4.8 / 0.05	482 4.8 / 0.05	319 4.8 / 0.03									
DU30HFA	1025	3153	0.25	795 5.8 / 0.06	700 5.8 / 0.06	593 5.8 / 0.06	454 5.8 / 0.06	307 5.8 / 0.04								
DU30HFA	1125	3461	0.25	873 6.8 / 0.08	787 6.8 / 0.08	695 6.8 / 0.08	581 6.8 / 0.08	447 6.8 / 0.08	312 6.8 / 0.04							
DU30HFA	1225	3768	0.25	950 8.0 / 0.11	872 8.0 / 0.11	789 8.0 / 0.11	694 8.0 / 0.11	578 8.0 / 0.11	455 8.0 / 0.09	331 8.0 / 0.05						
DU30HFA	1325	4076	0.25	1028 9.2 / 0.14	955 9.2 / 0.14	880 9.2 / 0.14	798 9.2 / 0.14	703 9.2 / 0.14	589 9.2 / 0.14	475 9.2 / 0.11						
DU30HFA	1425	4384	0.25	1105 10.7 / 0.17	1038 10.7 / 0.17	969 10.7 / 0.17	897 10.7 / 0.17	812 10.7 / 0.17	716 10.7 / 0.17	610 10.7 / 0.17	398 10.7 / 0.08					
DU30HFA	1525	4691	0.25	1183 12.2 / 0.21	1120 12.2 / 0.21	1056 12.2 / 0.21	990 12.2 / 0.21	916 12.2 / 0.21	834 12.2 / 0.21	739 12.2 / 0.21	541 12.2 / 0.16	343 12.2 / 0.06				
DU50HFA	600			455 1.3 / 0.01		719 4.2 / 0.04		924 6.4 / 0.09		1101 8.7 / 0.15		1255 11.1 / 0.22	1392 13.5 / 0.30	1519 15.9 / 0.39	1635 17.5 / 0.48	
DU50HFA	900			682 3.7 / 0.04		875 5.8 / 0.07		1042 7.9 / 0.13		1189 10.0 / 0.19		1324 12.3 / 0.26	1449 14.6 / 0.34	1568 16.6 / 0.43		
DU50HFA	1200			908 6.2 / 0.08		1060 8.1 / 0.13		1198 10.2 / 0.19		1323 12.3 / 0.26		1439 14.4 / 0.33	1550 16.4 / 0.41	1655 17.8 / 0.50		
DU50HFA	1500			1136 9.2 / 0.16		1258 11.2 / 0.22		1375 13.2 / 0.29		1484 15.4 / 0.36		1586 16.9 / 0.44				
DU50HFA	1800			1363 13.0 / 0.28		1466 15.0 / 0.35		1565 16.6 / 0.43								
DU50HFA	2100			1590 16.9 / 0.45												
DU85HFA	800			362 1.0 / 0.01		576 3.6 / 0.04		780 6.4 / 0.09		940 8.8 / 0.16		1074 10.9 / 0.24				
DU85HFA	1000			452 2.0 / 0.02		651 4.6 / 0.05		813 7.0 / 0.10		959 9.0 / 0.17		1092 11.2 / 0.25	1211 13.3 / 0.34	1318 15.4 / 0.44		
DU85HFA	1200			542 3.1 / 0.03		716 5.5 / 0.07		860 7.6 / 0.12		991 9.5 / 0.19		1113 11.5 / 0.26	1228 13.6 / 0.36	1335 15.8 / 0.46	1434 17.9 / 0.56	1525 20 / 0.68
DU85HFA	1400			632 4.3 / 0.05		785 6.5 / 0.09		917 8.4 / 0.15		1036 10.2 / 0.21		1147 12.1 / 0.29	1253 14.1 / 0.38	1354 16.2 / 0.48	1451 18.3 / 0.59	1542 20 / 0.70
DU85HFA	1600			723 5.6 / 0.07		859 7.6 / 0.12		980 9.3 / 0.18		1089 11.1 / 0.25		1152 12.2 / 0.29	1289 14.8 / 0.41	1383 16.8 / 0.51	1475 18.8 / 0.61	1561 21 / 0.73
DU85HFA	1800			813 7.0 / 0.10		935 8.7 / 0.16		1048 10.5 / 0.22		1149 12.2 / 0.29		1244 13.9 / 0.37	1334 15.7 / 0.46	1422 17.7 / 0.55	1508 19.5 / 0.66	
DU85HFA	2000			903 8.2 / 0.14		1013 9.8 / 0.20		1118 11.6 / 0.27		1214 13.4 / 0.34		1303 15.0 / 0.42	1388 16.9 / 0.51	1470 18.7 / 0.61	1548 20 / 0.71	
DU85HFA	2200			993 9.5 / 0.19		1093 11.2 / 0.25		1191 12.9 / 0.32		1281 14.6 / 0.40		1366 16.5 / 0.49	1446 18.1 / 0.58	1522 19.9 / 0.68		
DU85HFA	2400			1084 11.0 / 0.24		1175 12.6 / 0.31		1266 14.3 / 0.39		1352 16.1 / 0.47		1432 17.8 / 0.56	1508 19.5 / 0.66			
DU85HFA	2600			1174 12.6 / 0.31		1258 14.2 / 0.38		1343 16.0 / 0.46		1424 17.7 / 0.55		1500 19.4 / 0.65	1573 21 / 0.75			
DU85HFA	2800			1264 14.3 / 0.39		1342 15.9 / 0.46		1421 17.6 / 0.55		1498 19.3 / 0.64		1570 21 / 0.74				
DU85HFA	3000			1354 16.2 / 0.48		1427 17.7 / 0.56		1493 19.2 / 0.64		1574 21 / 0.75						
DU85HFA	3200			1444 18.1 / 0.58		1512 19.7 / 0.66										
DU85HFA	3400			1534 20 / 0.69												

DU33HFA, DU50HFA and DU85HFA Performance Data include ECM Motor Option. ECM Motors have RPM range of 300 to 1800.